



# Stealth Premiere P Cushion Order Form

104 John Kelly Drive, Burnet, TX 78611 | Phone: 800-965-9229 | Fax: 800-806-1225 | Email: info@stealthproducts.com

Account Number: \_\_\_\_\_ Date: \_\_\_\_\_  
 Provider Name: \_\_\_\_\_  
 Contact: \_\_\_\_\_  
 Phone: \_\_\_\_\_ Fax: \_\_\_\_\_  
 Email: \_\_\_\_\_  
 PO Number: \_\_\_\_\_  
 Marked for: \_\_\_\_\_  
 Ship to Address: \_\_\_\_\_  
 City: \_\_\_\_\_ State: \_\_\_\_\_ Zip: \_\_\_\_\_



This form is interactive when viewed with [Adobe Acrobat Reader](#) and may not function correctly if opened with applications other than Acrobat. HCPCS codes provided should not be considered as legal advice and do not guarantee reimbursement. DME providers are responsible for determining appropriate billing codes when submitting for insurance reimbursement. All prices are on-chair MSRP. Prices, specifications, part numbers, and availability are subject to change without notice.

## PREMIERE P CUSHION

This cushion offers positioning with 4-way stretch, breathable cover. Weight capacity at 14"W is 175 lbs, 15"W to 20"W is 350 lbs, 22"W is 500 lbs. The XXYY portion of all part numbers on this page directly relate to the dimensions of the cushion, where XX represents the width and YY represents the depth. For example, a 16" wide and 18" deep cushion would be ST-PREMP1618. Available sizes are shown on the chart to the right.

### 1. Cushion Selection

- Premiere P Cushion, 14"-20" Wide, E2605 ..... \$341
  - Premiere P Cushion, 22" Wide, E2606 ..... \$499
- Cushion Part: **ST-PREMPXXYY**
- Cushion Width: \_\_\_\_\_
- Cushion Depth: \_\_\_\_\_

		Width							
		14"	15"	16"	17"	18"	19"	20"	22"
Depth	13"								
	14"								
	15"								
	16"								
	17"								
	18"								
	19"								
	20"								
22"									

### 2. Add Fluid Proof Liner

The Premiere P Cushion is available with optional Fluid Proof Urethane or Fluid Proof Polyurethane Liners.

#### 2.1a. Install Fluid Proof Urethane Liner

- Credit for Urethane Liner (for 21"W and less) ..... -\$53  
Part: PTOINDV3927
- Credit for Urethane Liner (22"W and greater) ..... -\$63  
Part: PTOINDV3928

#### 2.1b Fluid Proof Urethane Liner

Cushion Size	Part	MSRP	Cushion Size	Part	MSRP	Cushion Size	Part	MSRP
14"W x 13"D ...	URL1709070-1413	\$53	16"W x 19"D ...	URL1709070-1619	\$53	19"W x 17"D ...	URL1709070-1917	\$53
14"W x 14"D ...	URL1709070-1414	\$53	16"W x 20"D ...	URL1709070-1620	\$53	19"W x 18"D ...	URL1709070-1918	\$53
14"W x 15"D ...	URL1709070-1415	\$53	17"W x 16"D ...	URL1709070-1716	\$53	19"W x 19"D ...	URL1709070-1919	\$53
14"W x 16"D ...	URL1709070-1416	\$53	17"W x 17"D ...	URL1709070-1717	\$53	20"W x 16"D ...	URL1709070-2016	\$53
15"W x 14"D ...	URL1709070-1514	\$53	17"W x 18"D ...	URL1709070-1718	\$53	20"W x 17"D ...	URL1709070-2017	\$53
15"W x 15"D ...	URL1709070-1515	\$53	17"W x 19"D ...	URL1709070-1719	\$53	20"W x 18"D ...	URL1709070-2018	\$53
15"W x 16"D ...	URL1709070-1516	\$53	18"W x 16"D ...	URL1709070-1816	\$53	20"W x 19"D ...	URL1709070-2019	\$53
15"W x 17"D ...	URL1709070-1517	\$53	18"W x 17"D ...	URL1709070-1817	\$53	20"W x 20"D ...	URL1709070-2020	\$53
16"W x 16"D ...	URL1709070-1616	\$53	18"W x 18"D ...	URL1709070-1818	\$53	22"W x 18"D ...	URL1709070-2218	\$63
16"W x 17"D ...	URL1709070-1617	\$53	18"W x 19"D ...	URL1709070-1819	\$53	22"W x 20"D ...	URL1709070-2220	\$63
16"W x 18"D ...	URL1709070-1618	\$53	18"W x 20"D ...	URL1709070-1820	\$53	22"W x 22"D ...	URL1709070-2222	\$63

#### 2.2a. Install Fluid Proof Polyurethane Liner

- Install Polyurethane Liner ..... \$0  
Part: PTOINDV3918

#### 2.2b. Fluid Proof Polyurethane Liner

Cushion Size	Part	MSRP	Cushion Size	Part	MSRP	Cushion Size	Part	MSRP
14"W x 13"D ...	PUL1709030-1413	\$58	14"W x 14"D ...	PUL1709030-1414	\$58	14"W x 15"D ...	PUL1709030-1415	\$58

Fluid Proof Polyurethane Liner section is continued on the following page.

**2.2b Add Fluid Proof Liner continued**

Cushion Size	Part	MSRP	Cushion Size	Part	MSRP	Cushion Size	Part	MSRP
14"W x 16"D ...	PUL1709030-1416 .....	\$58	17"W x 16"D ...	PUL1709030-1716 .....	\$58	19"W x 18"D ...	PUL1709030-1918 .....	\$58
15"W x 14"D ...	PUL1709030-1614 .....	\$58	17"W x 17"D ...	PUL1709030-1717 .....	\$58	19"W x 19"D ...	PUL1709030-1919 .....	\$58
15"W x 15"D ...	PUL1709030-1615 .....	\$58	17"W x 18"D ...	PUL1709030-1718 .....	\$58	20"W x 16"D ...	PUL1709030-2016 .....	\$58
15"W x 16"D ...	PUL1709030-1616 .....	\$58	17"W x 19"D ...	PUL1709030-1719 .....	\$58	20"W x 17"D ...	PUL1709030-2017 .....	\$58
15"W x 17"D ...	PUL1709030-1617 .....	\$58	18"W x 16"D ...	PUL1709030-1816 .....	\$58	20"W x 18"D ...	PUL1709030-2018 .....	\$58
16"W x 16"D ...	PUL1709030-1616 .....	\$58	18"W x 17"D ...	PUL1709030-1817 .....	\$58	20"W x 19"D ...	PUL1709030-2019 .....	\$58
16"W x 17"D ...	PUL1709030-1617 .....	\$58	18"W x 18"D ...	PUL1709030-1818 .....	\$58	20"W x 20"D ...	PUL1709030-2020 .....	\$58
16"W x 18"D ...	PUL1709030-1618 .....	\$58	18"W x 19"D ...	PUL1709030-1819 .....	\$58	22"W x 18"D ...	PUL1709030-2218 .....	\$58
16"W x 19"D ...	PUL1709030-1619 .....	\$58	18"W x 20"D ...	PUL1709030-1820 .....	\$58	22"W x 20"D ...	PUL1709030-2220 .....	\$79
16"W x 20"D ...	PUL1709030-1620 .....	\$58	19"W x 17"D ...	PUL1709030-1917 .....	\$58	22"W x 22"D ...	PUL1709030-2222 .....	\$79

**3. Alternate Cushion Cover**

The The Premiere P cushion is standard with a Coolcore cover which can be substituted with a Mesh Cover. A credit will be applied.

**3.1a. Install Mesh Cover**

Credit for Mesh as Alternate Cover .....-\$105  
 Part: PTOINDV3885

**3.1b. Alternate Mesh Cover**

Cushion Size	Part	MSRP	Cushion Size	Part	MSRP	Cushion Size	Part	MSRP
15"W x 14"D ....	PREMP-MBLK1514.....	\$105	17"W x 17"D ....	PREMP-MBLK1717.....	\$105	19"W x 19"D ....	PREMP-MBLK1919.....	\$105
15"W x 15"D ....	PREMP-MBLK1515.....	\$105	17"W x 18"D ....	PREMP-MBLK1718.....	\$105	20"W x 16"D ....	PREMP-MBLK2016 .....	\$105
15"W x 16"D ....	PREMP-MBLK1516.....	\$105	17"W x 19"D ....	PREMP-MBLK1719.....	\$105	20"W x 17"D ....	PREMP-MBLK2017 .....	\$105
15"W x 17"D ....	PREMP-MBLK1517.....	\$105	18"W x 16"D ....	PREMP-MBLK1816.....	\$105	20"W x 18"D ....	PREMP-MBLK2018 .....	\$105
16"W x 16"D ....	PREMP-MBLK1617.....	\$105	18"W x 17"D ....	PREMP-MBLK1817.....	\$105	20"W x 19"D ....	PREMP-MBLK2019 .....	\$105
16"W x 17"D ....	PREMP-MBLK1617.....	\$105	18"W x 18"D ....	PREMP-MBLK1818.....	\$105	20"W x 20"D ....	PREMP-MBLK2020 .....	\$105
16"W x 18"D ....	PREMP-MBLK1518.....	\$105	18"W x 19"D ....	PREMP-MBLK1819.....	\$105	22"W x 18"D ....	PREMP-MBLK2218 .....	\$105
16"W x 19"D ....	PREMP-MBLK1519.....	\$105	18"W x 20"D ....	PREMP-MBLK1820 .....	\$105	22"W x 20"D ....	PREMP-MBLK2220 .....	\$105
16"W x 20"D ....	PREMP-MBLK1620 .....	\$105	19"W x 17"D ....	PREMP-MBLK1917.....	\$105	22"W x 22"D ....	PREMP-MBLK2222 .....	\$105
17"W x 16"D ....	PREMP-MBLK1716.....	\$105	19"W x 18"D ....	PREMP-MBLK1918.....	\$105			

**4. Add Solid Base**

The Premiere P Cushion is available with optional ABS Flat Rigidizer or ACM Rigidizer.

**4.1. ABS Flat Rigidizer**

Cushion Size	Part	MSRP	Cushion Size	Part	MSRP	Cushion Size	Part	MSRP
16"W x 16"D ....	PREMP-MBLK1616.....	\$105	18"W x 18"D ....	PREMP-MBLK1818.....	\$105	20"W x 20"D....	PREMP-MBLK2020 .....	\$105
16"W x 18"D ....	PREMP-MBLK1618.....	\$105	18"W x 20"D ....	PREMP-MBLK1820 .....	\$105	22"W x 18"D....	PREMP-MBLK1818.....	\$105
16"W x 20"D ....	PREMP-MBLK1620 .....	\$105	20"W x 16"D ....	PREMP-MBLK2016 .....	\$105	22"W x 20"D....	PREMP-MBLK2220 .....	\$105
18"W x 16"D ....	PREMP-MBLK1816.....	\$105	20"W x 18"D ....	PREMP-MBLK2018 .....	\$105	22"W x 22"D....	PREMP-MBLK2222 .....	\$105

**4.2. ACM Rigidizer**

Cushion Size	Part	MSRP	Cushion Size	Part	MSRP	Cushion Size	Part	MSRP
16"W x 16"D ...	CUS142467-1616 .....	\$100	18"W x 16"D ...	CUS142466-1816 .....	\$100	20"W x 18"D...	CUS142465-2018 .....	\$100
16"W x 18"D ...	CUS142467.....	\$100	18"W x 18"D ...	CUS142466-1818 .....	\$100	20"W x 20"D...	CUS142465 .....	\$100
16"W x 20"D ...	CUS142467.....	\$100	18"W x 20"D...	CUS142466 .....	\$100			

**SPECIAL ORDER STEALTH PREMIERE P CUSHION**

Please detail your special order cushion request. All special order cushion requests must be approved with the Quantum Custom Department. Please contact Quantum Inside Sales or Custom Department with questions. Extended lead time will apply. Cushion part numbers involved will be the cushion part number listed in previous sections modified to meet special order request stated in details below. Drawings are available below for sketch details.

Special Order Stealth Premiere P Cushion. E2605/E2606 ..... \$614 to \$777

Details

---

---

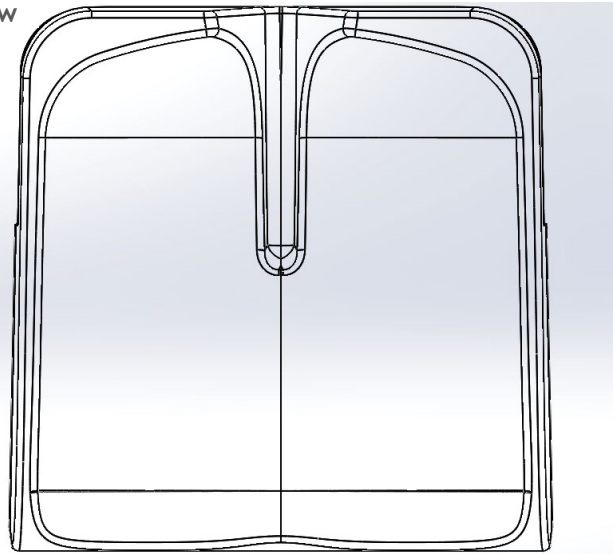
---

---

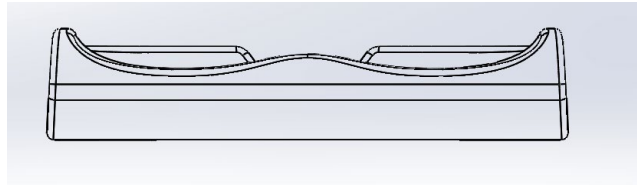
---

---

Top View



Front View



Right Side View

