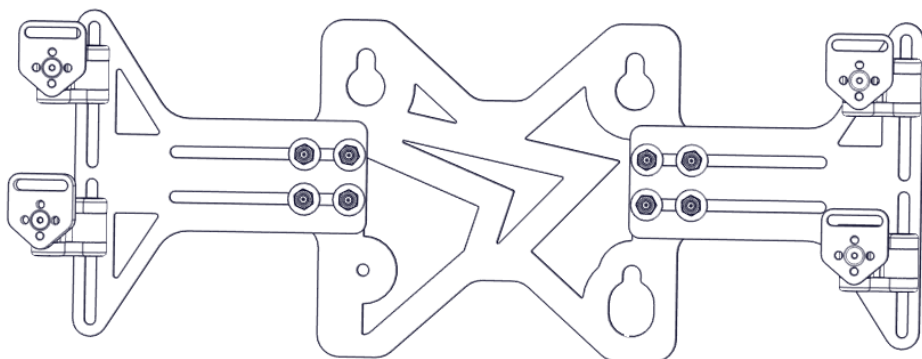




OWNER'S MANUAL



Simple Solutions Adapter Interface

Owner's Manual for the Simple Solutions Adapter Interface Hardware
for TB3 and TB4 Backs

Stealth Products strives for 100% customer satisfaction. Your complete satisfaction is important. Please contact us with feedback or to suggest changes which may help improve the quality and usability of our products. You may reach us at:



Stealth Products, LLC
104 John Kelly Drive, Burnet, TX 78611
Phone: (512) 715-9995 Toll Free: (800) 965-9229
Fax: (512) 715-9954 Toll Free: (800) 806-1225
info@stealthproducts.com www.stealthproducts.com



MDSS GmbH
Schiffgraben 41
30175 Hannover, Germany



General

Read and understand all instructions prior to the use of the product. Failure to adhere to instructions and warnings in this document may result in property damage, injury, or death. Product misuse due to failure to adhere to the following instructions will void the warranty.

Immediately discontinue use if any function is compromised, if parts are missing or loose, or if any component shows signs of excessive wear. Consult with your supplier for repair, adjustment, or replacement.

Important Information!

All persons responsible for fitting, adjustment, and daily use of the devices discussed in these instructions must be familiar with and understand all safety aspects of the devices mentioned. In order for our products to be used successfully, you must:

- read and understand all instructions and warnings;
- maintain our products according to our instructions on care and maintenance; and
- ensure devices are installed and adjusted by a trained technician.

Supplier Reference

Supplier: _____

Telephone: _____

Address: _____

Purchase Date: _____

Model: _____

These installation instructions will guide you through your product's options and possibilities. They are written with the expressed intent of use with standard configurations. They also contain important safety and maintenance information and describe possible problems that may arise during use. For further assistance or more advanced applications, please contact your supplier or Stealth Products, LLC at (512) 715-9995 or toll free at (800) 965-9229.

Always keep the operating instructions in a safe place so they may be referenced as necessary.

All information, pictures, illustrations, and specifications are based on the product information that was available at the time of publication. Pictures and illustrations included in these instructions are representative examples and are not intended to be exact depictions of the various parts of the product.

CAUTION

These products are designed to be fitted, applied, and installed exclusively by a healthcare professional trained for these purposes. The fitting, application and/or installation by non-qualified individuals could result in serious injury.

Ordering Documentation

You can download additional copies of this user manual by accessing the Stealth website (<https://stlpro.site/stealth-docs>) and searching "Simple Solutions Adapter Interface" in the search bar at the top of the page.

Our products are designed, manufactured, and produced to the highest of standards. If any defect in material or workmanship is found, Stealth Products, LLC will repair or replace the product at our discretion. Any implied warranty, including the implied warranties of merchantability and fitness for a particular purpose, shall not extend beyond the duration of this warranty. Stealth Products, LLC does not warrant damage due to, but not limited to:

- misuse, abuse, or misapplication of products; and/or
- modification of products without written approval from Stealth Products, LLC.

Any lack or alteration of serial number, where applicable, will automatically void this warranty.

Stealth Products, LLC is liable for replacement parts only, and is not liable for any incurred labor costs. No person is authorized to alter, extend, or waive the warranties of Stealth Products, LLC.

Stealth Products warrants against failure due to defective materials or workmanship for a period of:

Covers/Soft Goods: 2 years

Hardware: 5 years

Electronics: 3 years

In Case of Product Failure

In the event of product failure covered by our warranty, please follow the procedures outlined below:

1. Call Stealth Products at (512) 715-9995 or toll free at (800) 965-9229.
2. Request a Return Authorization form (RA) from the Returns Department and follow the instructions on the document.

| | |
|--|------------|
| 1.0 Customer Satisfaction | i |
| 2.0 Important Information..... | ii |
| 3.0 Introduction | iii |
| 4.0 Warranty | iv |
| 5.0 Table of Contents | v |
| 6.0 Warning Labels..... | vii |
| 6.1 Warning Labels | vii |
| 6.2 Limited Liability..... | vii |
| 6.3 Testing | vii |
| 7.0 Design and Function..... | 1 |
| 7.1 Intended Use | 1 |
| 7.2 Features | 1 |
| 7.3 Mounting | 1 |
| 8.0 Features..... | 2 |
| 8.1 Parts and Accessories Breakdown | 2 |
| 9.0 Installation Instructions | 3 |
| 9.1 Preparation..... | 4 |
| 9.2 Tools | 4 |
| 9.3 Installation Plan | 4 |
| 9.4 Required Tools/ Torque Chart..... | 5 |
| Widening Wings..... | 6 |
| Rotating Adapter Mounting Plates..... | 7 |
| Installing Button Head Screws and Lock Nuts..... | 8 |

| | |
|----------------------------------|-----------|
| 11.0 First-Time Use | 9 |
| 11.1 Dealer Assistance | 9 |
| 11.2 User Testing | 9 |
| 11.3 Conditions of Use..... | 9 |
| 12.0 Maintenance..... | 10 |
| 13.0 Notes..... | 12 |

Warning Labels

6.1

Warnings are included for the safety of the user, client, operator and property. Please read and understand what the signal words **DANGER, WARNING, CAUTION, NOTICE** and **SAFETY** mean, and how they could affect the user, those around the user, and property.



Identifies an **imminent** situation which, if not avoided, may result in **severe injury, death, and/or property damage**.



Identifies a **potential** situation which, if not avoided, may result in **severe injury, death, and/or property damage**.



Identifies a **potential** situation which, if not avoided, may result in **minor to moderate injury, and/or property damage**.

NOTICE

Identifies important information not related to injury, but possible **property damage**.

SAFETY

Indicates steps or instructions for safe practices, reminders of safe procedures, or important safety equipment that may be necessary.

Limited Liability

6.2

Stealth Products, LLC accepts no liability for personal injury or damage to property that may arise from the failure of the user or other persons to follow the recommendations, warnings, and instructions in this manual.

Stealth Products, LLC does not hold responsibility for final integration or final assembly of product to end user. Stealth Products, LLC is not liable for user death or injury.

Testing

6.3

Initial setup and driving should be done in an open area free of obstacles until the user is fully capable of driving safely.

Intended Use

7.1

The **Simple Solutions Adapter Interface** is designed to allow users of TB-series power chairs to interchange seating platforms as necessary while maintaining support, stability, and remaining lightweight.

Features

7.2

The **Simple Solutions Adapter Interface** offers:

- width and height adjustment;
- independent link arm adjustment capabilities;
- back angle, rotational, and lateral adjustment capabilities;
- compatibility with a wide range of wheelchair seat backs;
- customizable fitting; and
- virtually no seat depth loss.

Mounting

7.2

The **Simple Solutions Adapter Interface** is able to be mounted to the following market-available wheelchair seat backs:

- Matrix Elite
- Personal
- Jay 3
- ActaBack and Embrace
- Roho Agility
- Inception
- Ride Designs Java

Parts and Accessories Breakdown

8.1

| Item | Part Number | Description | QTY |
|------|------------------------------|---|-----|
| 1 | WNG08 | Adapter Interface Bracket | 2 |
| 2 | PLT08 | Adapter Mounting Plate- TB4 Back | 4 |
| 3 | M6 X 18MM PS | M6 X 18MM Pressed Stud | 8 |
| 4 | M6X1.0NLN | M6X 1.0 Nylon Lock Nut | 8 |
| 5 | M5X0.8X12FHS | M5 X 0.8 X 12MM Flat Head Screw | 4 |
| 6 | M5 FW | M5 flat washer, A2 SIS, black oxide *5.3mm ID x 10mm) | 12 |
| 7 | M5X0.8X12MMSHS | M5 X 0.8 X 12MM Socket Head Screw | 4 |
| 8 | CUP08 | 1.0" Double Male Unilink Coupler | 4 |
| 9 | M5X0.8X20SHS | M5 X 0.8 X 20MM SHS | 8 |
| 10 | M6x18mmFW | M6 X 18mm Fender Washer S/S | 8 |
| 11 | PLT06 | Adapter Interface Plate | 1 |
| 12 | ADP03 | Unilink Plate Adapter Assembly | 8 |
| 13 | LNK07 | 1" Double Male Link | 4 |
| 14 | LVR03 | Lever | 1 |
| 15 | SPC03 | 7MM Standoff | 3 |
| 16 | PLT09 | LVR03 Cover Plate | 1 |
| 17 | M3X0.5X20MMSF | M3 X 0.5 X 20MM Stud Flush | 3 |
| 18 | M3X0.5NLN | M3 X 0.5 Nylon Lock Nut | 3 |
| 19 | .25 DIA x 1.25IN L .026WD CS | Spring .25DIA X 1.25IN L .026 WD | 1 |
| 20 | S-1291 | 2" X 3" 2 MIL Reclosable Bags | 1 |
| 21 | M5 X 0.8 X 16 MM BHS | M5 X 0.8 X 16MM Button Head Screw | 4 |
| 22 | M5X0.8NHN | M5 Locknut | 4 |
| 23 | P150D626 | SSAPT B4 Owners Manual | 1 |

Installation Instructions

Preparations

9.1

Only a qualified service technician may install the **Simple Solutions Adapter Interface** and its accessories.

WARNING

Incorrect installation of the adapter interface or its accessories may cause damage to the hardware and/or injury to the user.

Tools

9.2

Use the proper tools to install and adjust the adapter interface to the user's desired position and specifications.

CAUTION

The use of improper tools may cause damage to the device. Under- or over-tightening fasteners can cause components to fail or cause the user discomfort.

Installation Plan

9.3

Set up an installation plan before beginning the installation. This plan should take into account:

- the placement of the interface in relation to the seat back;
- the manner in which the interface will be operated, including its attached adjustable laterals; and
- the amount of clearance necessary for other hardware and accessories.

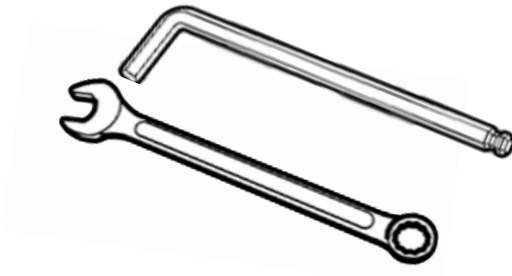
CAUTION

Any connection must always be secured with all delivered screws. Only use the screws provided in the package.

Required Tools

9.4

Below are the tools needed to complete the installation of the adapter plate:



| Hardware: | Used on: |
|--------------|--|
| 10 mm Wrench | Nylon Locknuts (8) |
| 4mm Hex Key | Socket head screws throughout assembly |

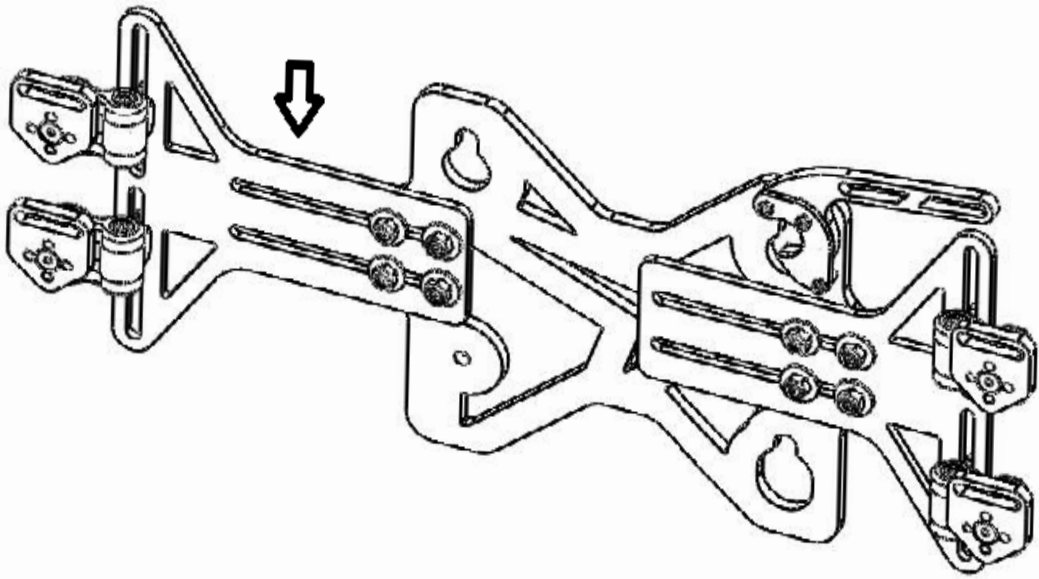
(Tools are not provided.)

CAUTION

The tools required to install additional accessories are detailed in the manuals provided with those accessories.

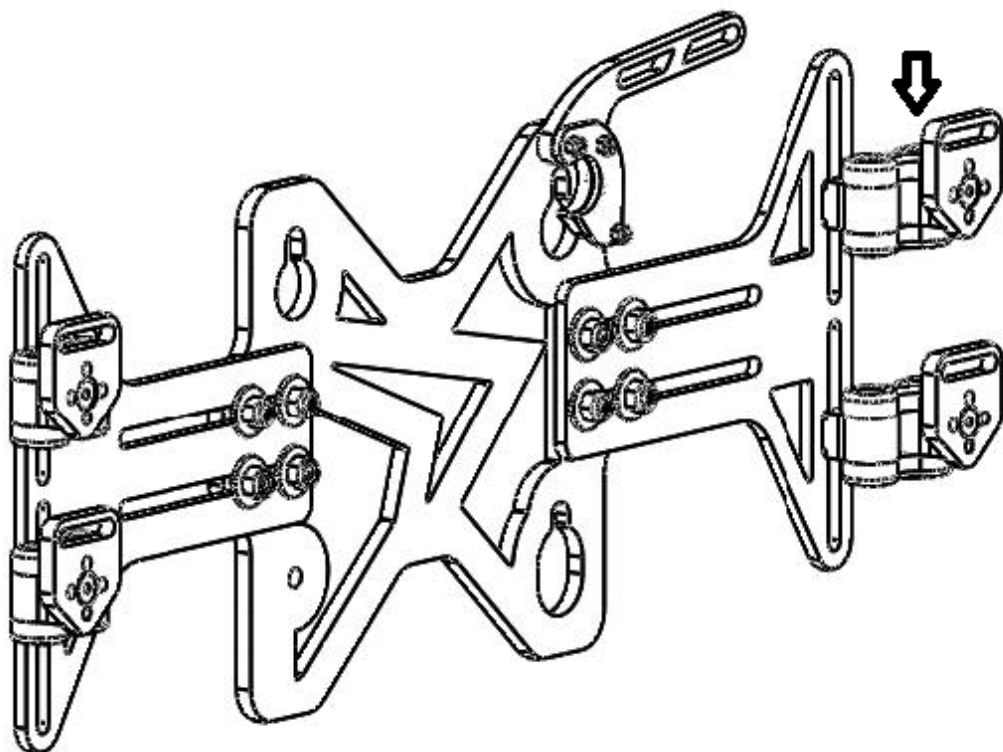
Widening Wings

Loosen all four Nylon Lock Nuts to extend the wing to appropriate width. Repeat with other wing. Tighten Nylon Lock Nuts.



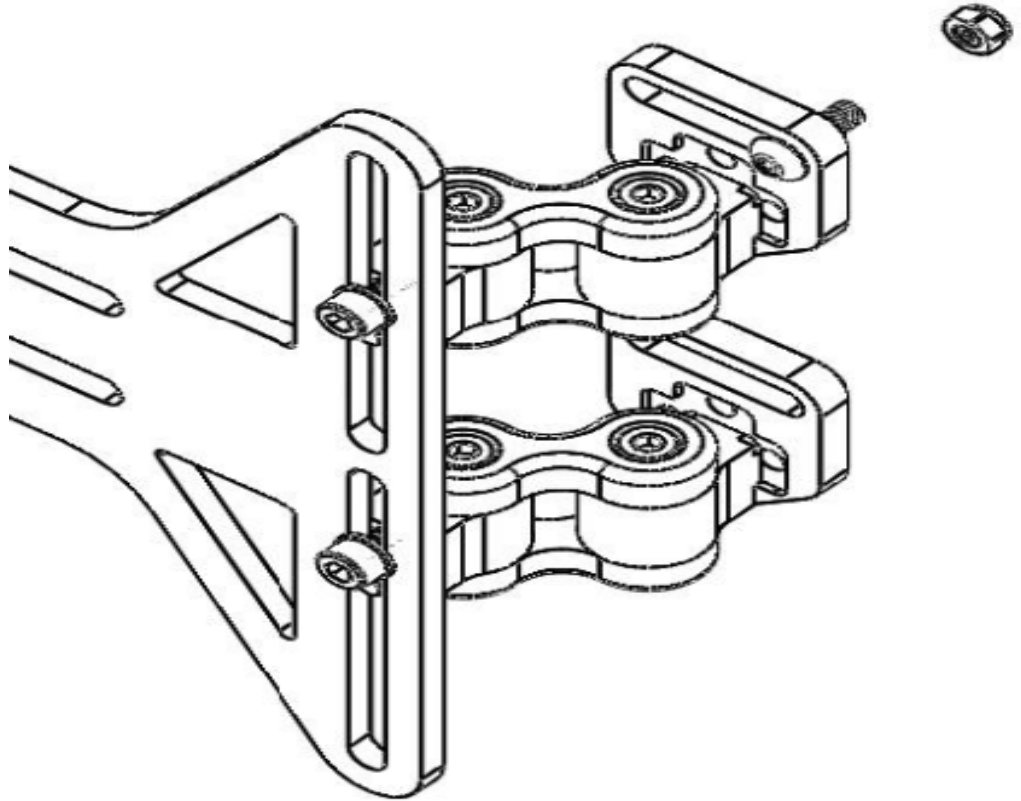
Rotating Adapter Mounting Plates

Rotate the Adapter Mounting Plates to align with the desired position of the wheelchair seat back.



Installing Button Head Screws and Lock Nuts

Place button head screw through hole and tighten with lock nut. Repeat on all four adapter plates.



Dealer Assistance

11.1

During first-time use by the client, it is advised that the dealer or service technician not only explains the product, but also assists in the configuration of user positioning to the customer (i.e., the user and/or the attendant). If needed, the dealer can make final adjustments.

User Testing

11.2

It is important that the customer be fully aware of the installation of the **Simple Solutions Adapter Interface**, including how to use it and how it can be adjusted to fit the client comfortably. As a dealer, proceed as follows:

- Explain and show the customer how you have executed the installation and explain the function.

Have the user test the position of the seating system.

- Is the hardware in the proper position for the client?
- Can the user safely operate all wheelchair controls with minimal effort?

If needed, make any adjustments to the positioning. Explain possible problems to the customer and how to address them.

Conditions of Use

11.3


The **Simple Solutions Adapter Interface** is intended for use as installed by the dealer, in accordance to the installation instructions in this manual.

- The foreseen conditions of use should always be communicated by the dealer or service technician to the user and/or attendant during first-time use.
- If the usage conditions change significantly, please contact your dealer or a qualified

Disinfecting

12.2

- Wipe gently with a cloth dampened with a household disinfectant.

 **WARNING** Do not immerse foam in water.

Maintenance

12.3

The following care and guideline instructions will keep hardware and covers in good condition for a longer period of time and prevent damage.

- Check all components for any signs of wear or breakdown.
- Repair or replace parts as needed.
- Gently remove dust and dirt from hardware with a soft, damp cloth.

CAUTION

Always check all mounting hardware before using the adapter interface.

SAFETY Replace or repair parts as needed.

 **CAUTION** 250lbs (113.40 kg) user weight limit.

NOTICE

Improper installation or alterations of any kind will void this product's warranty.

| |
|--|
| |
| |
| |
| |
| |
| |
| |
| |
| |
| |
| |
| |
| |
| |
| |
| |
| |
| |
| |
| |
| |
| |
| |
| |
| |
| |
| |
| |
| |
| |
| |
| |
| |
| |
| |
| |
| |
| |
| |
| |
| |
| |



Stealth Products, LLC. • info@stealthproducts.com • www.stealthproducts.com
(800) 965-9229 | (512) 715-9995 | 104 John Kelly Drive, Burnet TX 78611