

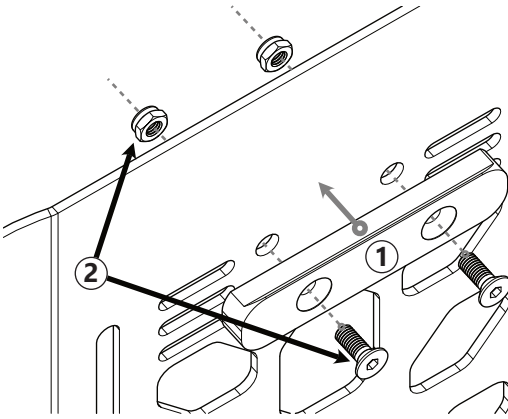
SBM-DT

Owner's Manual for the Dovetail Seat Back Mount

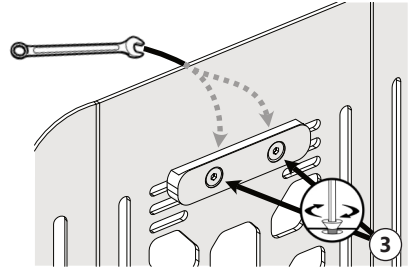
Parts Included

Part	Description
	A. Dovetail Track
	B. Latch Body
	C. Lever
	D. Pivot Nut
	E. Bushing
	F. M5 x 0.8 x 22mm MOD FHS
	G. M6 Socket Set Screw
	H. M6 x 1.0 x 16mm FHS (2)
	I. M6 x 1.0 Low Nylock Nut (2)

Installing Dovetail Track to Seat Back



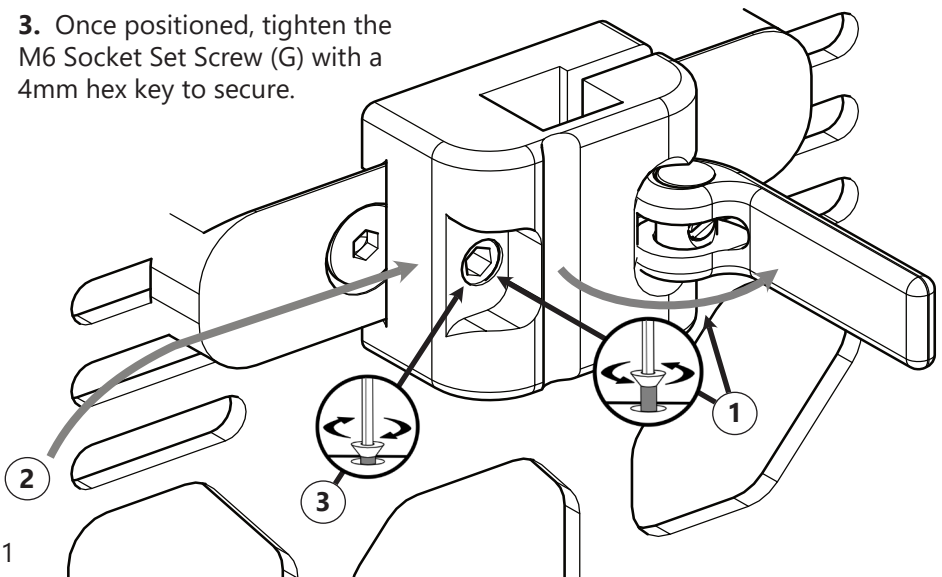
1. Locate the mounting holes on the seat back and align the Dovetail Track (A) with them on the back side of the seat.
2. Insert the M6 x 1.0 x 16mm Flat Head Screws (H) through the holes and thread the M6 Nylock Nuts (I) onto them.



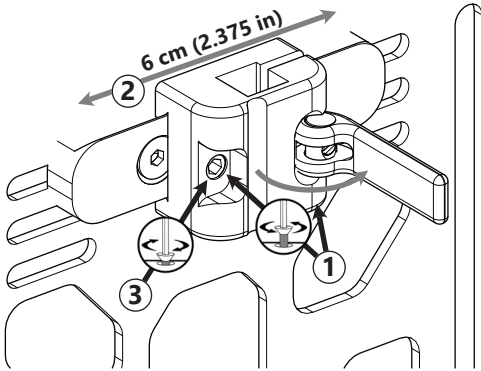
3. With an open end wrench and 4mm hex key, tighten the flat head screws to secure Dovetail Track (A) to the back.

Securing Latch to Dovetail Track

1. Lift Lever (C) to expose the M6 Socket Set Screw (G). Make sure the set screw is not protruding from the back of the Latch Body (B).
2. Slide the Latch Body (B) onto the Dovetail Track (A). The mount provides 6cm (2.375 in.) of lateral adjustment.
3. Once positioned, tighten the M6 Socket Set Screw (G) with a 4mm hex key to secure.

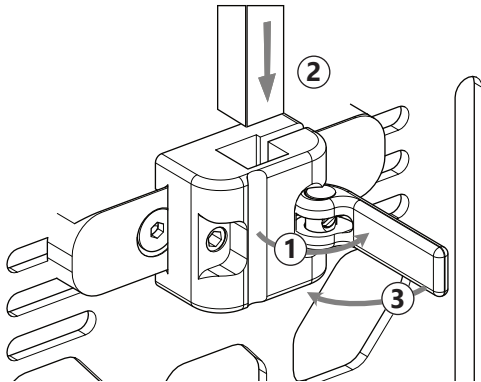


Lateral Position Adjustment



1. Release tension on the Lever (C) and loosen the M6 Socket Set Screw (G) located underneath the Lever (C).
2. Move the mount and headrest left or right on the Dovetail Track (A). The mount provides 6 cm (2.375 in.) of travel.
3. Using a 4mm hex key, tighten the M6 Socket Set Screw (G) and close Lever (C) to secure the headrest in position.

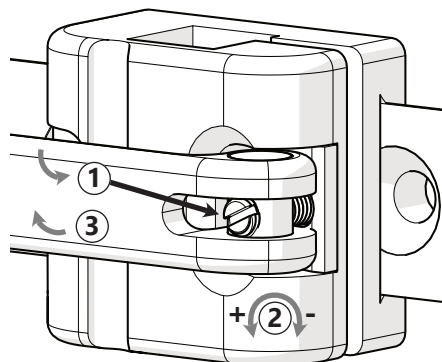
Securing the Down Post*



1. Open Lever (C) to release tension. Insert the headrest down post into the square slot in Latch Body (B). Adjust the height of the headrest according to the directions included with your headrest hardware.
2. With the down post at the proper height, close Lever (C) until it is flush with Latch Body (B).
3. If the Lever (C) does not secure the down post, or will not close flush with Latch Body (B), refer to the tension adjustment directions below.

* The SBM-DT is designed to fit 1/2" down posts only. Not compatible with 15mm or other sizes.

Tension Adjustment



1. Open Lever (C) and locate the slotted end of Adjustment Screw (F) as shown in the image to the left.
2. To change the tension Lever (C) exerts on the down post, use a small flat head screwdriver. Rotate the Adjustment Screw (F) clockwise to reduce tension and counter-clockwise to increase.
3. Close Lever (C) to verify the tension on the down post. Lever (C) should close fully, hold the down post securely, and provide resistance to unintentional release.

Important

Before you install or begin using any product, it is important that you read and understand the content of these installation and operating instructions. Product misuse due to failure to adhere to instructions and warnings in this document will void your warranty and may result in property damage, injury or death. Always keep the operating instructions in a safe place so they may be referenced as necessary. If this document contains information you do not understand or if there are concerns about safety or operation, contact your provider.

All information, pictures, illustrations and specifications are based on the product information available at the time of printing, and are representative examples. They are not intended to be exact descriptions of the various parts of the product. Instructions are written with the expressed intent of use with standard configurations. They also contain important safety and maintenance information. For assistance with advanced configurations or options, contact your provider or **Stealth Products** at (512) 715-9995 or toll free at (800) 965-9229.

Immediately discontinue use if any function is compromised, if parts are missing or loose or if any component shows signs of excessive wear. Consult with your provider for repair, adjustment or replacement. You can download additional copies of this manual by visiting <https://stlpro.site/stealth-docs/> and searching for "SBM-DT" in the document manager.

Warranty

Our products are designed, manufactured, and produced to the highest of standards. If any defect in material or workmanship is found, **Stealth Products** will repair or replace the product at our discretion. Any implied warranty, including the implied warranties of merchantability and fitness for a particular purpose, shall not extend beyond the duration of this warranty. **Stealth Products, LLC** does not warrant damage due to, but not limited to, misuse, abuse, or misapplication of products and modification of product without written approval from **Stealth Products, LLC**.

Any alteration or lack of serial number, where applicable, will automatically void this warranty. **Stealth Products, LLC** is liable for replacement parts only. **Stealth Products, LLC** is not liable for any incurred labor costs. No person is authorized to alter, extend, or waive the warranties of **Stealth Products, LLC**.

To learn more about our warranty and returns policy, please visit <https://stlpro.site/returns-n-warranty>.

About Us

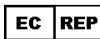
Stealth Products is committed to 100% customer satisfaction. Your complete satisfaction is important to us. Please contact us with suggestions or feedback to help us improve the quality and usability of our products.

You may reach us at:



Stealth Products, LLC

info@stealthproducts.com
www.stealthproducts.com
(800) 965-9229 | (512) 715-9995
104 John Kelly Drive, Burnet TX 78611



MDSS GmbH
Schiffgraben 41
30175 Hannover, Germany

