

Stealth Products[®]

Head Support Hardware



USER MANUAL



TWB480-FDMKID

Stealth's User Manual and Maintenance Guide for
the Kid Kart Flip Down Mount

Stealth Products strives for 100% customer satisfaction. Your complete satisfaction is important. Please contact us with feedback or suggested changes that will help improve the quality and usability of our products. You may reach us at:



Stealth Products, LLC

104 John Kelly Drive, Burnet, TX 78611

Phone: (512) 715-9995

Toll Free: 1(800) 965-9229

Fax: (512) 715-9954

Toll Free: 1(800) 806-1225

info@stealthproducts.com

www.stealthproducts.com



MDSS GmbH

Schiffgraben 41

30175 Hannover, Germany



General

Read and understand all instructions prior to the use of the product. Failure to adhere to instructions and warnings in this document may result in property damage, injury, or death. Product misuse due to failure of the following instructions will void the warranty.

Immediately discontinue use if any function is compromised, parts are missing, loose, or show signs of excessive wear. Consult with your supplier for repair, adjustment, or replacement.

If this document contains information you do not understand, or there are concerns about safety or operation, contact your supplier.

Important Information!

All persons responsible for fitting, adjustment, and daily use of the devices discussed in these instructions must be familiar with and understand all safety aspects of the devices mentioned. In order for our products to be used successfully, you must:

- Read and understand all instructions and warnings.
- Maintain our products according to our instructions on care and maintenance.
- Devices should be installed and adjusted by a trained technician.

Supplier Reference

Supplier: _____

Telephone: _____

Address: _____

Purchase Date: _____

Model: _____

Before you install or begin using this product, it is important that you read and understand the content of these operating instructions. These instructions will guide you through the options and possibilities with the TWB480-FDMKID.

Instructions are written with the expressed intent of use with standard configurations. They also contain important safety and maintenance information, as well as describe possible problems that can arise during use. For further assistance or more advanced applications, please contact your supplier or Stealth Products at (512) 715-9995 or toll free at 1-800-965-9229.

Always keep the operating instructions in a safe place so they may be referenced as necessary.

All information, pictures, illustrations, and specifications are based on the product information that was available at the time of printing. Pictures and illustrations shown in these instructions are representative examples and are not intended to be exact depictions of the various parts of the product.

Ordering Documentation

You can download additional copies of this user manual on the Stealth website:

<http://www.stealthproducts.com/gui/docs/?type=usr>

Or search:

TWB480-FDMKID User Manual in the search bar at the top of the page.

Our products are designed, manufactured, and produced to the highest of standards. If any defect in material or workmanship is found, Stealth Products will repair or replace the product at our discretion. Any implied warranty, including the implied warranties of merchantability and fitness for a particular purpose, shall not extend beyond the duration of this warranty. Stealth Products, LLC does not warrant damage due to, but not limited to:

- Misuse, abuse, or misapplication of products.
- Modification of product without written approval from Stealth Products, LLC.
- Any alteration or lack of serial number, where applicable, will automatically void this warranty.
- Stealth Products, LLC is liable for replacement parts only.
- Stealth Products, LLC is not liable for any incurred labor costs.

No person is authorized to alter, extend, or waive the warranties of Stealth Products, LLC.

Stealth Products warrants against failure due to defective materials or workmanship:

Covers: 2 years

Hardware: 5 years

Electronics: 3 years

In Case of Product Failure

In the event of product failure covered by our warranty, please follow the procedures outlined below:

1. Call Stealth at +1 (512) 715-9995 or toll free +1-800-965-9229.
2. Request the Returns Department or obtain an

1.0 Customer Satisfaction	i
2.0 Important Information	ii
3.0 Introduction	iii
4.0 Warranty	iv
5.0 Table of Contents	v
6.0 Warning Labels	vii
6.1 Warning Labels	vii
6.2 Limited Liability	vii
6.3 Testing	vii
7.0 Parts and Accessories	1
7.1 Intended Use	1
7.2 Parts and Accessories	1
7.3 Tools Required	1
8.0 Installation Instructions	2
8.1 Installation Instructions	2
8.2 Hardware Mounting	2
8.3 Headrest Mounting SURING-SD	3
8.4 Headrest Mounting SURING	4
9.0 Positioning	5
9.1 Link Adjustment	5
9.2 Triangle Adjustment	5
9.3 Depth Adjustment	6
9.4 Height Adjustment	6
9.5 Headrest Adjustment	7
9.6 Flip Down Operation	8
10.0 Maintenance	9
10.1 Maintenance	9
10.2 Cleaning	9
10.3 Disinfecting	10

Warning Labels

6.1

Warnings are included for the safety of the user, client, operator and property. Please read and understand what the signal words **SAFETY, NOTICE, CAUTION, WARNING** and **DANGER** mean, how they could affect the user, those around the user, and property.

DANGER

Identifies an **imminent** situation which (if not avoided) will result in **severe injury, death, and property damage.**

WARNING

Identifies a **potential** situation which (if not avoided) will result in **severe injury, death, and property damage.**

CAUTION

Identifies a **potential** situation which (if not avoided) will result in **minor to moderate injury, and property damage.**

NOTICE

Identifies important information not related to injury, but possible **property damage.**

SAFETY

Indicates steps or instructions for safe practices, reminders of safe procedures, or important safety equipment that may be necessary.

Limited Liability

6.2

Stealth Products, LLC accepts no liability for personal injury or damage to property that may arise from the failure of the user or other persons to follow the recommendations, warnings, and instructions in this manual.

Testing

6.3

Initial setup and driving should be done in an open area free of obstacles until the user is fully capable of driving safely.

The TWB480-FDMKID should always be tested without any person sitting in the wheelchair until every alteration of the physical installation or adjustment of the hardware is complete.

Intended Use

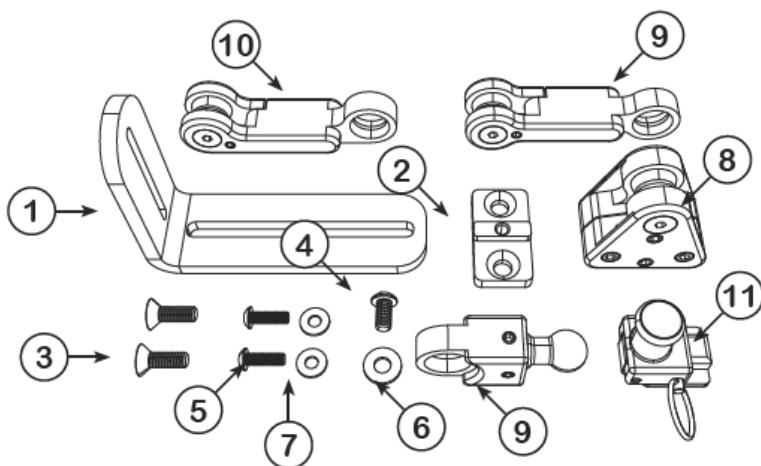
7.1

The TWB480-FDMKID is a specially designed hardware that gives the ability to mount one of Stealth's various headrests to the back of a Kid Kart stroller, utilizing a 17mm mounting ball. With Stealth's link technology and an adjustable triangle that gives rotational adjustment, there is the possibility to position the headrest to meet with the client's head.

Parts and Accessories

7.2

- | | |
|------------------------------------|---------------------------------|
| 1. Kid Kart Vertical Bar | 6. 1/4" Flat Washer |
| 2. Kid Kart Seat Back Mount | 7. #10 Flat Washer |
| 3. 1/4-20 x 1/2" Flat Head Screw | 8. TWB480-TR: TWB480 Triangle |
| 4. 1/4-20 x 1/2" Button Head Screw | 9. TWB480-LINK: 3" In-Line Link |
| 5. #10-32 x 5/8" Button Head Screw | 10. TWB480-LOL: 3" Offset Link |
| | 11. HMO-PEFDM |



Tools Required

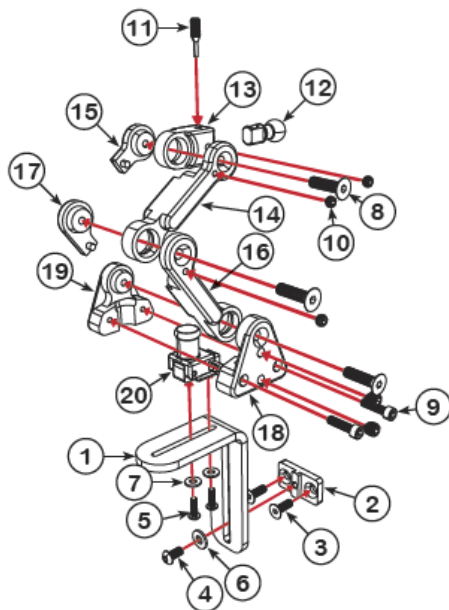
7.3

- 1/8" Hex Tool
- 5/32" Hex Tool

Installation Instructions

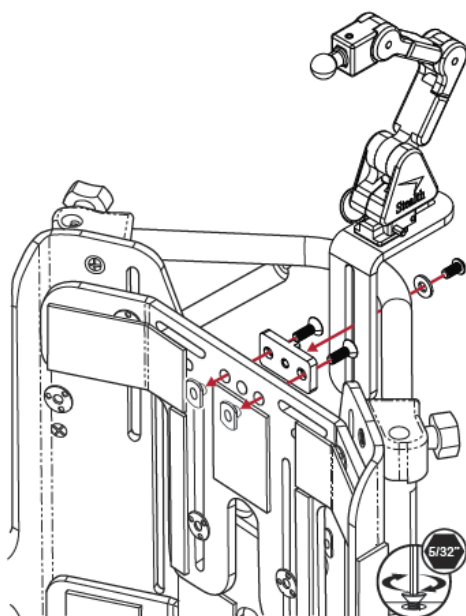
8.1

To install the TWB480-FDMKID, look at the picture below:



Hardware Mounting

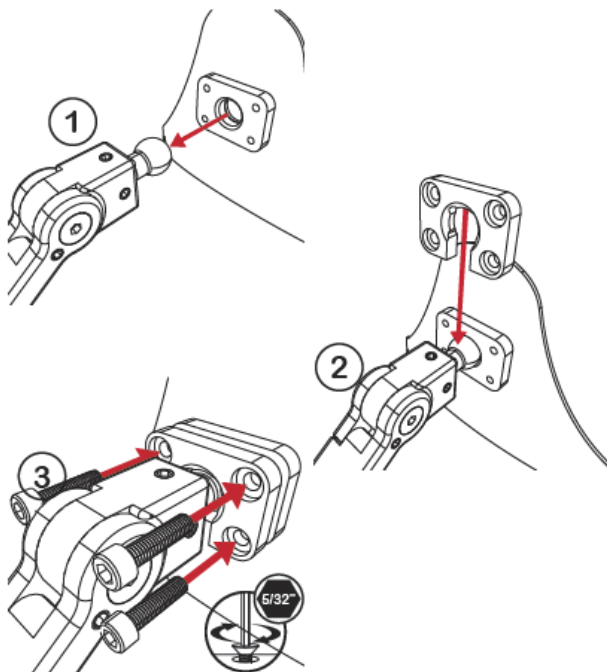
8.2



Headrest Mounting SURING-SD

8.3

To mount the TWB480-FDMKID to the headrest, follow the instructions below:



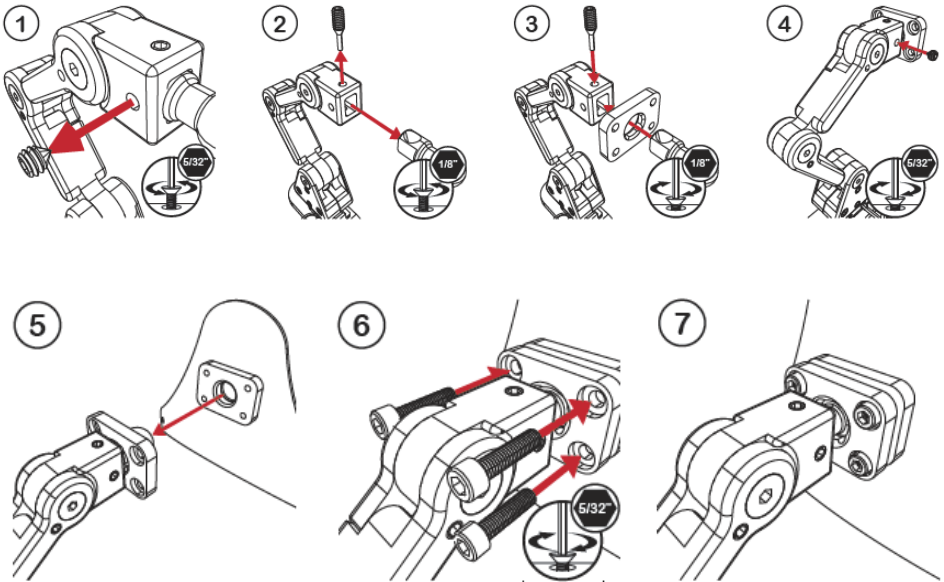
CAUTION

When tightening screws, turn loosely until the screw stops, then tighten one quarter turn more. Overtightening screws may cause product malfunction and irreversible damage.

Headrest Mounting SURING

8.4

The TWB480-FDMKID is height adjustable on the mounting hardware and headrest. To adjust the height on the mounting hardware, follow the instructions below:



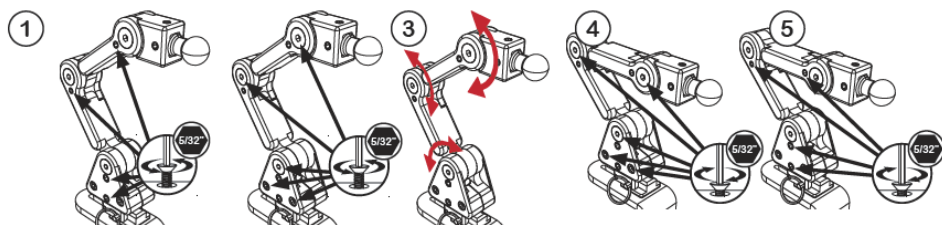
CAUTION

When tightening screws, turn loosely until the screw stops, then tighten one quarter turn more. Overtightening screws may cause product malfunction and irreversible damage.

Link Adjustment

9.1

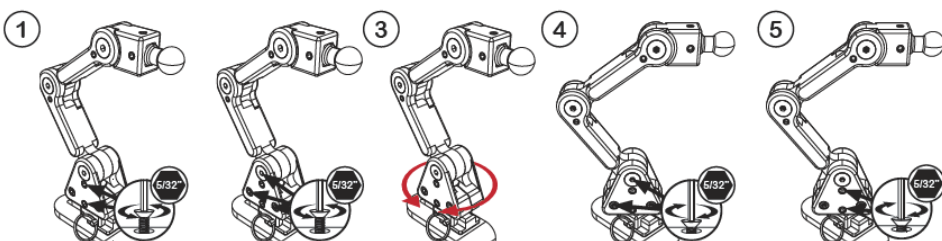
To adjust the links on the TWB480-FDMKID, follow the instructions below:



Triangle Adjustment

9.2

To adjust the position of the triangle on the TWB480-FDMKID, follow the instructions below:



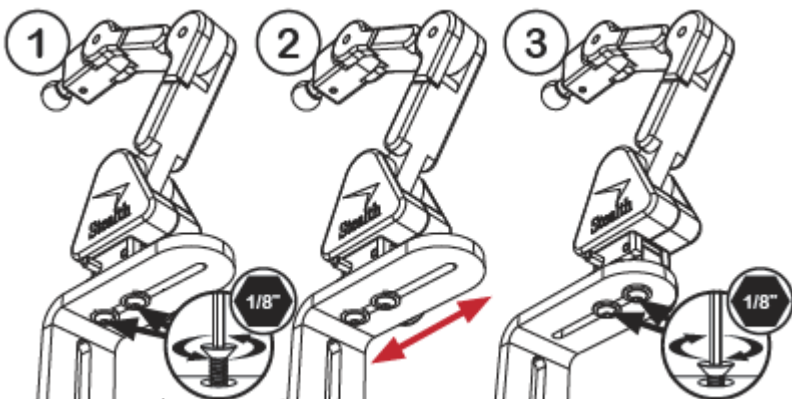
CAUTION

When tightening screws, turn loosely until the screw stops, then tighten one quarter turn more. Overtightening screws may cause product malfunction and irreversible damage.

Depth Adjustment

9.3

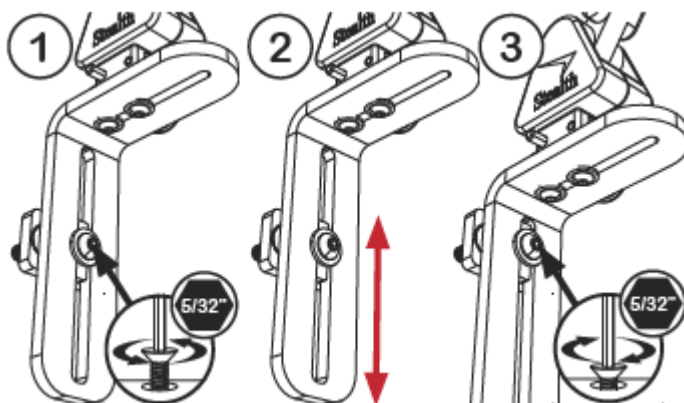
The TWB480-FDMKID is height and depth adjustable on the mounting hardware and headrest. To adjust the depth on the mounting hardware, follow the instructions below:



Height Adjustment

9.4

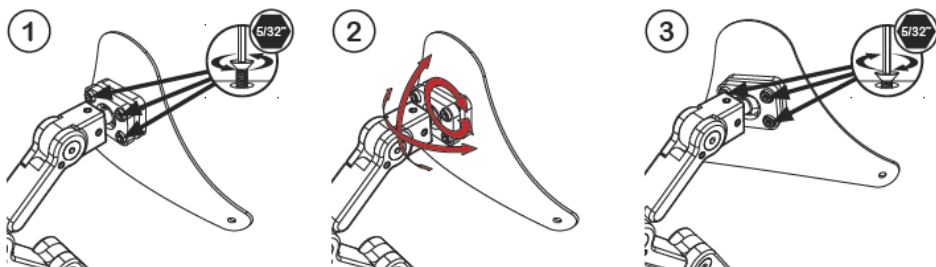
To adjust the height of the TWB480-FDMKID on the mounting hardware, follow the instructions below:



Headrest Adjustment

9.5

To adjust the TWB480-FDMKID position on the headrest, follow the instructions below:



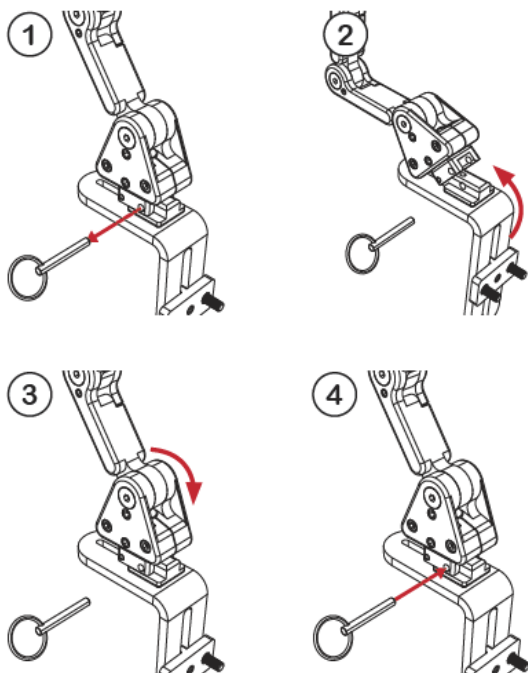
CAUTION

When tightening screws, turn loosely until the screw stops, then tighten one quarter turn more. Overtightening screws may cause product malfunction and irreversible damage.

Flip Down Operation

9.6

To flip down the hardware, follow the instructions below:



Maintenance

10.1

It is recommended that all products be checked for wear and function on a periodic basis and repaired, if necessary, by a wheelchair professional.

- Repairs should be done with Stealth parts, fasteners, or items appropriate for the service needed.
- Discontinue use after identifying loose or broken components.
- Check and retighten all fasteners according to the installation instructions.
- If you must lubricate a moving part or hinge, do so sparingly using only a product approved for the situation.

Cleaning

10.2

- Positioning accessories can be wiped clean with a damp cloth and mild, nonabrasive cleaner.
- Ensure all cleaners are approved for finished steel, aluminum, plastic, and upholstered surfaces.
- Do not immerse in water or rinse with a water hose.
- Do not coat the metal surface with waxes or silicones.

CAUTION

Do not treat any surfaces with silicones, waxes, or preservatives meant for leather or vinyl. These treatments will make the surface slippery and defeat the positioning functions of the product.

Disinfecting

10.3

When needed, surfaces can be wiped with an approved disinfecting product.

- Ensure the disinfectant is approved for finished steel, aluminum, plastic, and non-upholstered surfaces.
- Covers– follow the fabric care labels affixed to the product.
- Fixed covers– Take care to notice the cover’s fit to the pad so it can be refitted in the correct orientation.
- Zip the cover closed to avoid catching. Wash in warm water by hand or gentle machine cycle and drop or tumble dry on low heat.
- Some covers consist of different materials for the sides and contact surfaces. For these combinations, take care to wipe clean only.

CAUTION

Vinyl upholsteries should be wiped clean with mild, nonabrasive cleaner only.

CAUTION

Never machine wash vinyl. This includes our brushed aluminum, carbon fiber, Biscayne, naugahyde and sparkle upholsteries.



Stealth Products, LLC. • info@stealthproducts.com • www.stealthproducts.com
+1(800) 965-9229 | +1(512) 715-9995 | 104 John Kelly Drive, Burnet TX 78611