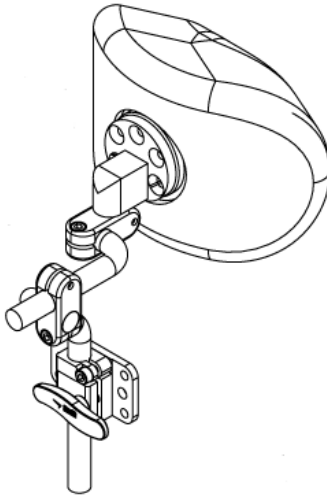


Stealth Products[®]



USER MANUAL

Head Support Hardware



HMO501

Stealth's User Manual and Maintenance Guide
for the HMO501 Headrest Hardware

Stealth Products strives for 100% customer satisfaction. Your complete satisfaction is important. Please contact us with feedback or suggested changes that will help improve the quality and usability of our products. You may reach us at:



Stealth Products, LLC

104 John Kelly Drive, Burnet, TX 78611

Phone: (512) 715-9995

Toll Free: 1(800) 965-9229

Fax: (512) 715-9954

Toll Free: 1(800) 806-1225

info@stealthproducts.com

www.stealthproducts.com



MDSS GmbH

Schiffgraben 41

30175 Hannover, Germany



General

Read and understand all instructions prior to the use of the product. Failure to adhere to instructions and warnings in this document may result in property damage, injury, or death. Product misuse due to failure of the following instructions will void the warranty.

Immediately discontinue use if any function is compromised, parts are missing, loose, or show signs of excessive wear. Consult with your supplier for repair, adjustment, or replacement.

If this document contains information you do not understand, or there are concerns about safety or operation, contact your supplier.

Important Information!

All persons responsible for fitting, adjustment, and daily use of the devices discussed in these instructions must be familiar with and understand all safety aspects of the devices mentioned. In order for our products to be used successfully, you must:

- Read and understand all instructions and warnings.
- Maintain our products according to our instructions on care and maintenance.
- Devices should be installed and adjusted by a trained technician.

Supplier Reference

Supplier: _____

Telephone: _____

Address: _____

Purchase Date: _____

Model: _____

Before you install or begin using this product, it is important that you read and understand the content of these operating instructions. These instructions will guide you through the options and possibilities with the HMO501 Headrest Hardware.

Instructions are written with the expressed intent of use with standard configurations. They also contain important safety and maintenance information, as well as describe possible problems that can arise during use. For further assistance or more advanced applications, please contact your supplier or Stealth Products at 1-512-715-9995 or toll free at 1-800-965-9229.

Always keep the operating instructions in a safe place so they may be referenced as necessary.

All information, pictures, illustrations, and specifications are based on the product information that was available at the time of printing. Pictures and illustrations shown in these instructions are representative examples and are not intended to be exact depictions of the various parts of the product.

Ordering Documentation

You can download additional copies of this user manual on the Stealth website:

<http://www.stealthproducts.com/>

and search **HMO501** in the search bar at the top of the page.

Our products are designed, manufactured, and produced to the highest of standards. If any defect in material or workmanship is found, Stealth Products will repair or replace the product at our discretion. Any implied warranty, including the implied warranties of merchantability and fitness for a particular purpose, shall not extend beyond the duration of this warranty. Stealth Products, LLC does not warrant damage due to, but not limited to:

- Misuse, abuse, or misapplication of products.
- Modification of product without written approval from Stealth Products, LLC.
- Any alteration or lack of serial number, where applicable, will automatically void this warranty.
- Stealth Products, LLC is liable for replacement parts only.
- Stealth Products, LLC is not liable for any incurred labor costs.

No person is authorized to alter, extend, or waive the warranties of Stealth Products, LLC.

Stealth Products warrants against failure due to defective materials or workmanship:

Covers: 2 years
Hardware: 5 years
Electronics: 3 years

In case of Product Failure

In the event of product failure covered by our warranty, please follow the procedures outlined below:

1. Call Stealth at 1-512-715-9995 or toll free 1-800-965-9229.
2. Request the Returns Department and obtain an RA from the Returns Department. Follow the return instructions contained in the document.

1.0 Customer Satisfaction	i
2.0 Important Information	ii
3.0 Introduction	iii
4.0 Warranty	iv
5.0 Table of Contents	v
6.0 Warning Labels	vi
6.1 Warning Labels	vi
6.2 Limited Liability.....	vi
6.3 Testing.....	vi
7.0 Design and Function	1
7.1 Intended Use.....	1
7.2 Features.....	1
8.0 Features	2
8.1 Adjustment	2
Height Adjustment.....	2
Depth Adjustment.....	3
Angle Adjustment.....	3
9.0 Installation Instructions	4
9.1 Tools.....	4
9.2 Installation Plan	4
9.3 Hardware Installation	4
9.4 Installation	5
9.5 Installing the Headrest to the Back.....	6
10.0 First Time Use	7
10.1 Dealer Assistance.....	7
10.2 User Testing	7
10.3 Conditions of Use	7
11.0 Maintenance	8
11.1 Care and Maintenance	8
11.2 Cleaning	8

Warning Labels

6.1

Warnings are included for the safety of the user, client, operator and property. Please read and understand what the signal words **SAFETY**, **NOTICE**, **CAUTION**, **WARNING** and **DANGER** mean, how they could affect the user, those around the user, and property.

 **DANGER**

Identifies an **imminent** situation which (if not avoided) will result in **severe injury, death, and property damage**.

 **WARNING**

Identifies a **potential** situation which (if not avoided) will result in **severe injury, death, and property damage**.

 **CAUTION**

Identifies a **potential** situation which (if not avoided) will result in **minor to moderate injury, and property damage**.

NOTICE

Identifies important information not related to injury, but possible **property damage**.

SAFETY

Indicates steps or instructions for safe practices, reminders of safe procedures, or important safety equipment that may be necessary.

Limited Liability

6.2

Stealth Products, LLC accepts no liability for personal injury or damage to property that may arise from the failure of the user or other persons to follow the recommendations, warnings, and instructions in this manual.

Testing

6.3

Initial setup and driving should be done in an open area free of obstacles until the user is fully capable of driving safely.

The **HMO501 Headrest Hardware** should always be tested without any person sitting in the wheelchair until every alteration of the physical installation or adjustment is complete.

Intended Use

7.1

The **HMO501** is a lightweight mounting bracket for use with Stealth's headrests. This hardware is designed to provide multi-axis positioning of head supports, increasing the ability to properly accommodate asymmetrical head positioning.

Features

7.2

The **HMO501** hardware:

- Is lightweight with multi-axis hardware
- Offers height, depth, and angle adjustments through the loosening/tightening of a screw
- Is compatible with all Stealth headrests
- Multi-hole pattern accommodates existing headrests
- Is compatible with after-market headrests

WARNING

Stealth does not recommend the **HMO501** for client's with high tone.

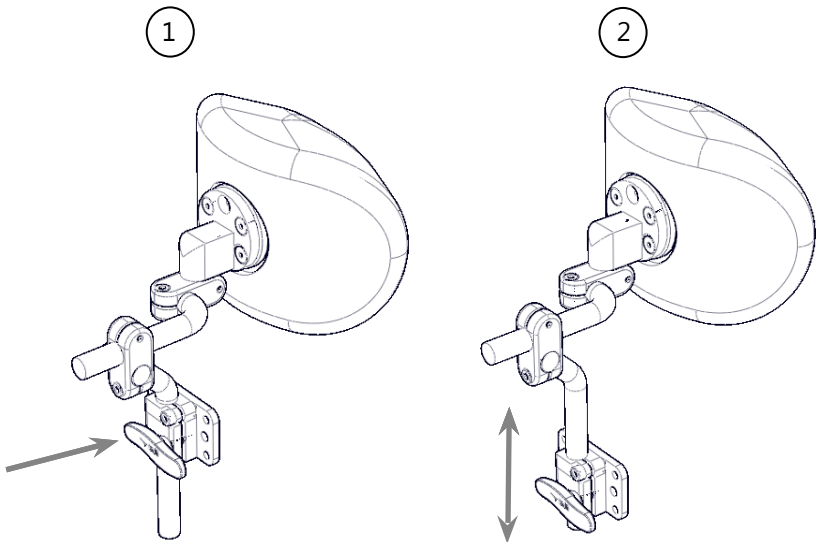
Adjustment

8.1

The **HMO501** has height, depth, and angle adjustments that can easily be changed by simply loosening one of the five available points.

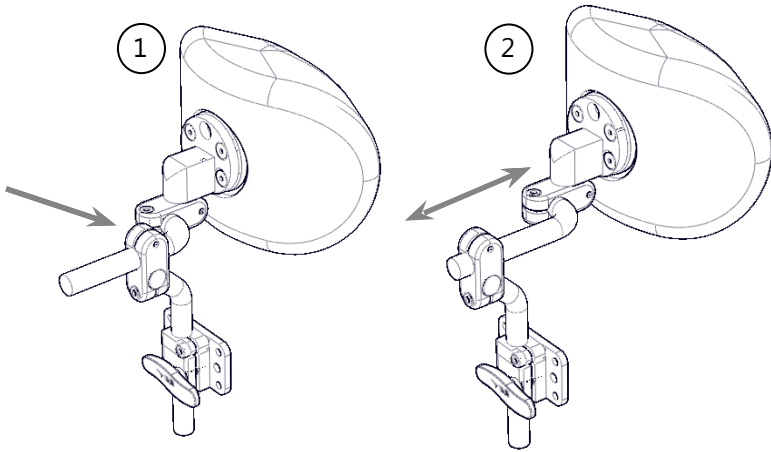
Height Adjustment

- The placement of the seat back mount on the vertical bar can be adjusted by loosening the screw on the stop collar, allowing the mount to be adjusted up and down along the vertical bar.
- The height of the **HMO501** can be adjusted by turning the handle on the vertical bar counter-clockwise.
- A total of 2.5" of height adjustment is available on the vertical bar.
- Once the vertical bar is placed at the desired height, turn the handle clockwise to tighten and secure.



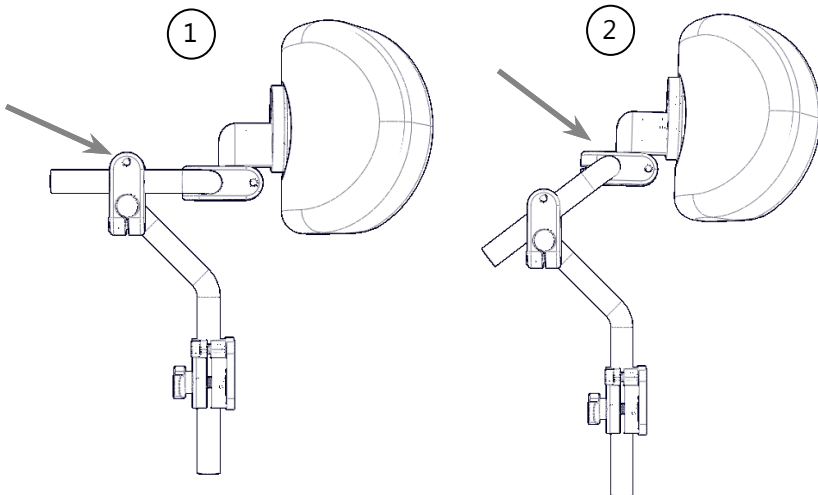
Depth Adjustment

- The depth of the horizontal bar can be adjusted up to 2.5".
- Loosen the M5 screw on the side of the bar clamp, which holds the horizontal bar in place. By loosening the screw, depth adjustment can be made.
- When the horizontal bar has reached the desired depth on the hardware, tighten the M5 screw on the bar clamp until it is secure.



Angle Adjustment

- Two points of angle adjustment are available on the hardware.
- Adjustment points include horizontal bar angle and the angle of the adapter plate.



 **WARNING**

Only a qualified service technician may install the **HMO501** hardware.

Tools

9.1

- 4mm T-Handle/Allen Wrench
- Torque Wrench

 **CAUTION**

Use the proper tools to install and adjust the **HMO501** hardware. The use of improper tools may cause damage to the device.

Installation Plan

9.2

Set up an installation plan before installing or making any adjustments to the hardware. Based on the users' needs, this plan should specify:

- What height is required for the headrest?
- At what angle does the mounting bracket and horizontal bar need to be placed in order to promote the best fit of the headrest to the client.

Hardware Installation

9.3

For more detailed instructions on how to install the **HMO501**, refer to the instructions in the **Diego Seating System Owner's Manual**.

Installation

9.4

- Install the hardware onto the corresponding headrest for the client.
- Determine the correct placement of the hardware on the chair. If the height needs to be changed, follow the instructions in the user manual.
- If the angles of the hardware need to be adjusted, loosen the desired screws and make the adjustments necessary until the headrest is in the correct placement. Secure the screws.
- Make any final adjustments necessary and ensure all screws are secure.

CAUTION

Tighten the screws firmly, but not excessively. Excessive force may damage the unit.

 **CAUTION** Only use screws provided in the package with the hardware.

WARNING

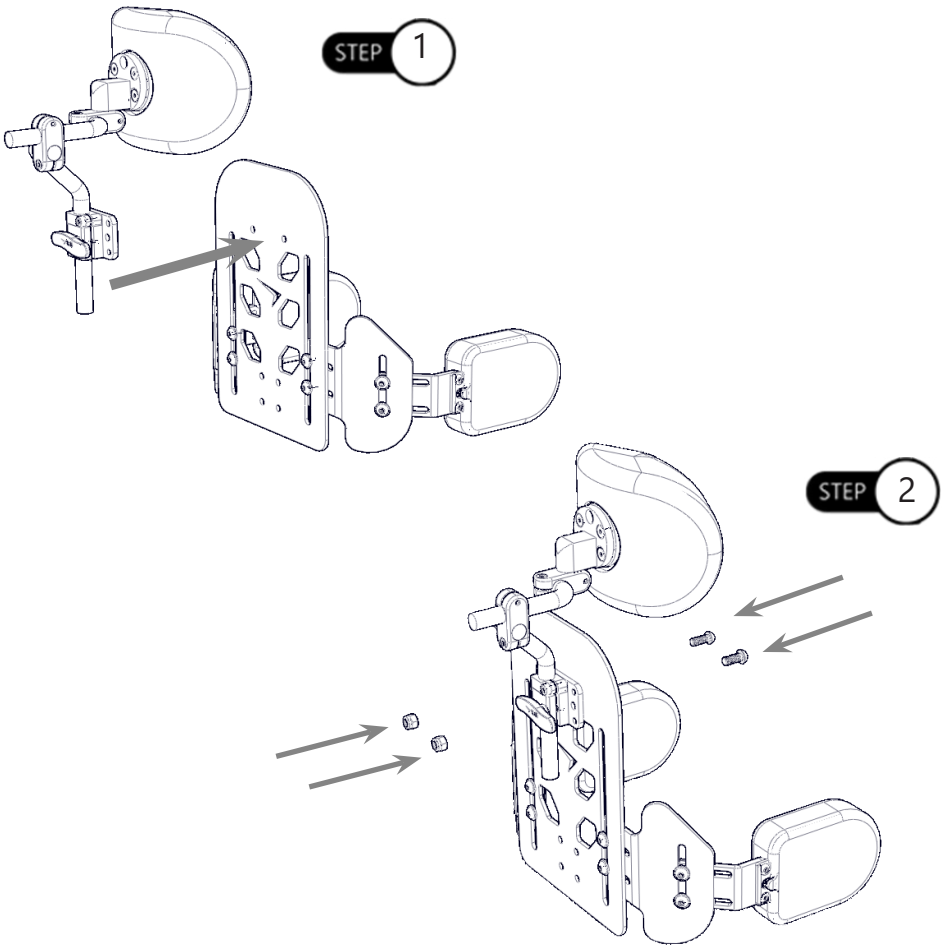
Discontinue use if any product's function becomes compromised, loose, shows signs of excessive wear, missing parts, or does not function as intended.

Installing the Headrest to Back

9.5

Step One: Align the holes on the Seat Back Mount with the mounting holes of the back.

Step Two: Use the M6 x 1 x 22MM Button Head Screws with the M6 x 1 Nylon Lock Nut. Tighten to 10nM of torque. Ensure the Button Head Screws are installed from the inside of the back to prevent discomfort to the user.



CAUTION

Incorrect installation of the seat back mount can lead to irritation for the user.

Dealer Assistance

10.1

During first time use by the client, it is advised that the dealer or service technician assists and explains the different configurations to the client. If needed, the dealer can make final adjustments.

User Testing

10.2

It is important that the customer is fully aware of the installation and how to adjust the hardware in order for the headrest to be placed in the best position for the user. As a dealer, proceed as follows:

- Is the **HMO501** at the proper height for the headrest?
- Is the **HMO501** placed at the correct angle?

If needed, adjust the hardware to the proper position.

Explain to the client the possible problems and how to address them.

Conditions of Use

10.3

The **HMO501** headrest hardware is intended for use as installed by the dealer, in accordance with the installation and instructions in this manual.

- The foreseen conditions of use are communicated by the dealer or service technician to the user and/or attendant during the first time use.
- If the usage conditions change significantly, please contact your dealer or a qualified service technician to avoid excessive wear and tear or unintended damage.

Care and Maintenance

11.1

We recommend that the hardware be checked for wear and function on a periodic basis and replaced, if necessary, by a wheelchair professional.

- Discontinue use after identifying loose or broken components.
- Check and tighten all screws according to the installation instructions.
- Repairs should be done with Stealth parts, fasteners, or items appropriate for the service needed.

Cleaning

11.2

- Surfaces may be wiped clean with a damp cloth and mild, nonabrasive cleaner.
- Ensure all cleaners are approved for finished steel, aluminum, plastic and upholstered surfaces.

DANGER

Failure to comply with these warnings could result in serious bodily harm.



Stealth Products, LLC. • info@stealthproducts.com • www.stealthproducts.com
+1(800) 965-9229 | +1(512) 715-9995 | 104 John Kelly Drive, Burnet TX 78611