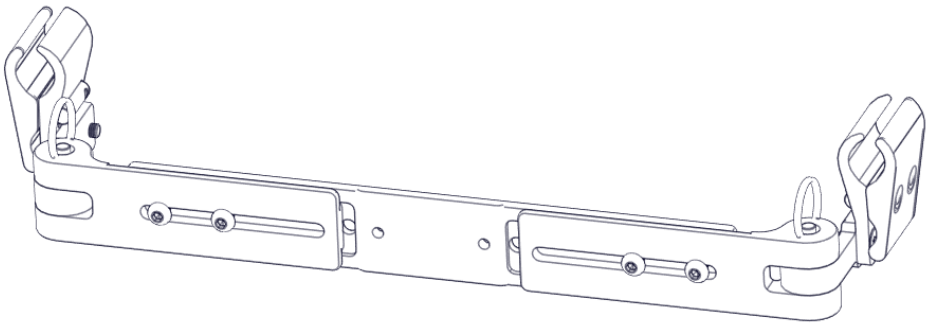


Stealth Products[®]

Head Support Hardware



OWNER MANUAL



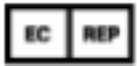
Hardware Mounting Adapter

Hardware Mounting Adapter Owner's Manual

Stealth Products, LLC strives for 100% customer satisfaction. Your complete satisfaction is important. Please contact us with feedback or to suggest changes which may help improve the quality and usability of our products. You may reach us at:



Stealth Products, LLC
104 John Kelly Drive, Burnet, TX 78611
Phone: (512) 715-9995 Toll Free: (800) 965-9229
Fax: (512) 715-9954 Toll Free: (800) 806-1225
info@stealthproducts.com



MDSS GmbH
Schiffgraben 41
30175 Hannover, Germany



General

Read and understand all instructions prior to the use of the product. Failure to adhere to instructions and warnings in this document may result in property damage, injury, or death. Product misuse due to failure to adhere to the following instructions will void the warranty.

Immediately discontinue use if any function is compromised, if parts are missing or loose, or if any component shows signs of excessive wear. Consult with your supplier for repair, adjustment, or replacement.

Important Information!

All persons responsible for fitting, adjustment, and daily use of the devices discussed in these instructions must be familiar with and understand all safety aspects of the devices mentioned. In order for our products to be used successfully, you must:

- Read and understand all instructions and warnings.
- Maintain our products according to our instructions on care and maintenance.
- Ensure devices are installed and adjusted by a trained technician.

Supplier Reference

Supplier: _____

Telephone: _____

Address: _____

Purchase Date: _____

Model: _____

The installation instructions will guide you through the options and possibilities with the product.

Instructions are written with the expressed intent of use with standard configurations. They also contain important safety and maintenance information, as well as describe possible problems that can arise during use. For further assistance, or more advanced applications, please contact your supplier or Stealth Products at 1(512) 715-9995 or toll free at 1(800) 965-9229.

Always keep the operating instructions in a safe place so they may be referenced as necessary.

All information, pictures, illustrations, and specifications are based on the product information that was available at the time of printing. Pictures and illustrations shown in these instructions are representative examples and are not intended to be exact depictions of the various parts of the product.

CAUTION

These products are designed to be fitted, applied, and installed exclusively by a healthcare professional trained for these purposes. The fitting, application and installation by a non-qualified individual may result in serious injury.

Ordering Documentation

You can download additional copies of this user manual by visiting the Stealth website (www.stealthproducts.com) and searching: "Hardware Mounting Adapter Owner's Manual" in the search bar at the top of the page.

Our products are designed, manufactured, and produced to the highest of standards. If any defect in material or workmanship is found, Stealth Products, LLC will repair or replace the product at our discretion. Any implied warranty, including the implied warranties of merchantability and fitness for a particular purpose, shall not extend beyond the duration of this warranty. Stealth Products, LLC does not warrant damage due to, but not limited to:

- Misuse, abuse, or misapplication of products.
- Modification of product without written approval from Stealth Products, LLC.

Any alteration or lack of serial number, where applicable, will automatically void this warranty.

Stealth Products, LLC is liable for replacement parts only.

No person is authorized to alter, extend, or waive the warranties of Stealth Products, LLC.

Stealth Products, LLC warrants against failure due to defective materials or workmanship for the following durations:

Soft Goods: 180 days

Hardware: 5 years

Electronics: 3 years

In Case of Product Failure

In the event of product failure covered by our warranty, please follow the procedures outlined below:

1. Call Stealth Products at 1(512) 715-9995 or toll free at 1(800) 965-9229.
2. Request the Returns Department to obtain a Return Authorization (RA) and follow department documentation instructions.

1.0 Customer Satisfaction	i
2.0 Important Information	ii
3.0 Introduction	iii
4.0 Warranty	iv
5.0 Table of Contents	v
6.0 Warning Labels	vii
6.1 Warning Labels	vii
6.2 Limited Liability.....	vii
6.3 Testing	vii
7.0 Design and Function	viii
7.1 Intended Use	viii
7.2 Product Feature Overview	viii
8.0 Parts and Accessories	1
8.1 Hardware Mounting Adapter Package.....	1
8.2 Compatible Seat Back Mount Attachment	1
9.0 Features	2
9.1 Hardware Mounting Attachment Features	2
9.2 Width Adjustment	2
9.3 Compatability	2
10.0 Installation Instructions	3
10.1 Preparations	4
10.2 Tools.....	4
10.3 Installation Plan.....	4
10.4 Required Tools.....	5

10.5 Installing Hardware Mounting Adapter to Chair	6
10.6 Attaching a Seat Back Mount Accessory.....	7
10.7 Attaching a Head Support Attachment.....	8
11.0 First-Time Use	9
11.1 Dealer Assistance	9
11.2 User Testing	9
11.3 Conditions of Use.....	9
12.0 Maintenance.....	10
12.1 Maintenance.....	10
12.2 Cleaning	10

Warning Labels

6.1

Warnings are included for the safety of the user, client, operator and property. Please read and understand what the signal words **SAFETY, NOTICE, CAUTION, WARNING** and **DANGER** mean, and how they could affect the user, those around the user, and property.

DANGER

Identifies an **imminent** situation which, if not avoided, may result in **severe injury, death, and/or property damage**.

WARNING

Identifies a **potential** situation which, if not avoided, may result in **severe injury, death, and/or property damage**.

CAUTION

Identifies a **potential** situation which, if not avoided, may result in **minor to moderate injury and/or property damage**.

NOTICE

Identifies important information not related to injury, but possible **property damage**.

SAFETY

Indicates steps or instructions for safe practices, reminders of safe procedures, or important safety equipment that may be necessary.

Limited Liability

6.2

Stealth Products, LLC accepts no liability for personal injury or damage to property that may arise from the failure of the user or other persons to follow the recommendations, warnings, and instructions in this manual.

Stealth Products, LLC does not hold responsibility for final integration of final assembly of product to end user. Stealth Products, LLC is not liable for user death or injury.

Testing

6.3

Initial setup and driving should be done in an open area free of obstacles until the user is fully capable of driving safely.

Intended Use

7.1

The **Hardware Mounting Adapter (HMA)** is used with a sling back or other similar back and seating systems which a) do not offer a location for, or b) do not offer the rigidity for head support hardware. It will allow the head support hardware to stay attached to the chair independent of the seating. (For example, if a user drives a power wheelchair with a head- or chin-operated driver control and has a seating system that is transferred to a manual wheelchair, the driver control will remain on the power wheelchair and another head support will be mounted to the manual base.)

The **HMA**, being a width-adjustable head support receiver, will allow the user to position the head support to an optimal support position, including off-center. Using the **HMA**, even a manual wheelchair user can take advantage of head support, a crucial component of wheelchair positioning for ensuring a high quality of life for the user.

Product Feature Overview

7.2

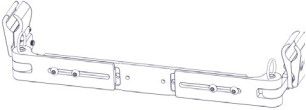
The **Hardware Mounting Adapter** features:

- Solid mounting surface compatible with all Stealth **Seat Back Mount** accessories (**SBMs**)
- Allows head support hardware to attach to chair independent of seating
- Four inches of width adjustment; ability to be offset depending on handle width
- Fits handles 9/32" (15.24mm) to 1" (2.54cm) in diameter; fits round or oval tubing without spacers
- Compatible with wheelchairs 14" to 18" wide
- Pull pins containing spring-loaded ball pins allow for removal without the need for tools

Hardware Mounting Adapter Package

8.1

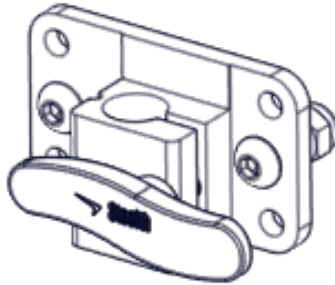
The following is included with the adapter package:

Part Number	Product Description	
HMA001	Hardware Mounting Adapter	

Compatible Seat Back Mount Attachment

8.2

The **HMA** is designed to accommodate a standard Stealth seat back mounting attachment, as shown below:



Hardware Mounting Adapter Features

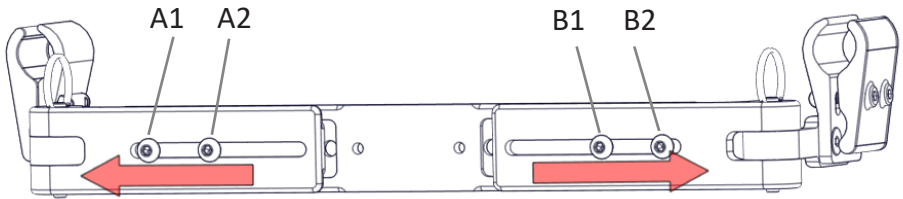
9.1

The **HMA** features 4" (101.6mm) of available width adjustment.

Width Adjustment

9.2

- When the headrest interface plate's securing screws (A1, A2, B1, B2) are loosened, the HMA is able to be adjusted to user needs, sliding up to 2" (50.8mm) on either side, as shown below:



Compatibility

9.3

The **HMA** mounts to multiple diameter cane clamps, both round and oval, without the use of spacers.

- Hardware is compatible with cane diameters ranging from 9/32" (15.24mm) to 1" (2.54cm).
- Headrests attach to any Stealth seat back mount accessory.

Installation Instructions

Preparations

10.1

Only a qualified service technician may install the **Hardware Mounting Adapter (HMA)** and its accessories.

WARNING

An incorrect installation of the **HMA** and its accessories may cause damage to the hardware and/or injury to the user.

Tools

10.2

Use the proper tools to install and adjust the **HMA** to the desired position for the user. Ensure all torque specifications are followed.

CAUTION

The use of improper tools may cause damage to the device. Not tightening to the torque specification can cause components to fail or cause discomfort to the user.

Installation Plan

10.3

Set up an installation plan before beginning the installation. This plan should take into account:

- Where the **HMA** will be placed, as well as applicable attachments and accessories
- Sufficient clearance necessary for other hardware and accessories

CAUTION

Any connection must always be secured with all delivered screws. Only use the screws provided in the package.

Required Tools

10.4

The tools needed to complete the installation are as follows:



T1



T2

Hardware	Function
4mm hex key (T1)	Used to tighten hex screws
10mm wrench (T2)	Used to secure M6 nuts

Note: *Tools are not provided*

Screws	Torque Specifications (N•m)
M6 X 1.0 X 16mm button head screws (4 total; located on the front of headrest interface plate)	7.8
M5 X 0.8 X 18mm socket head screws (4 total; 2 located on each cane clamp)	4.6

Installing Hardware Mounting Adapter to Chair

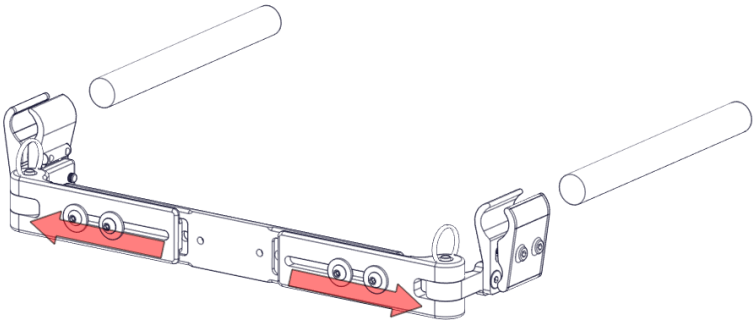
10.5

Step One: Adjust the width of the **Hardware Mounting Adapter (HMA)** to the width of the chair's canes.

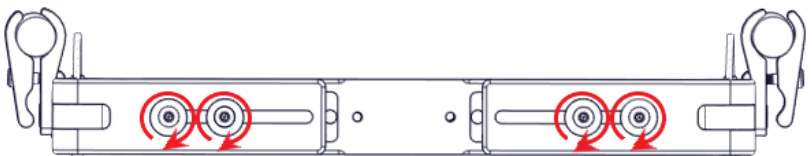
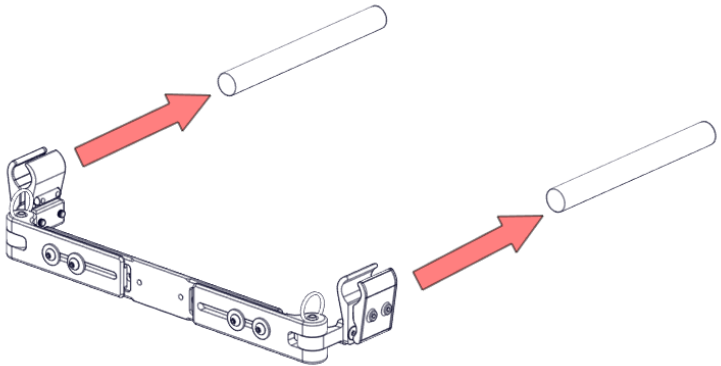
Step Two: Slide both the **HMA's** clamps onto the chair's canes.

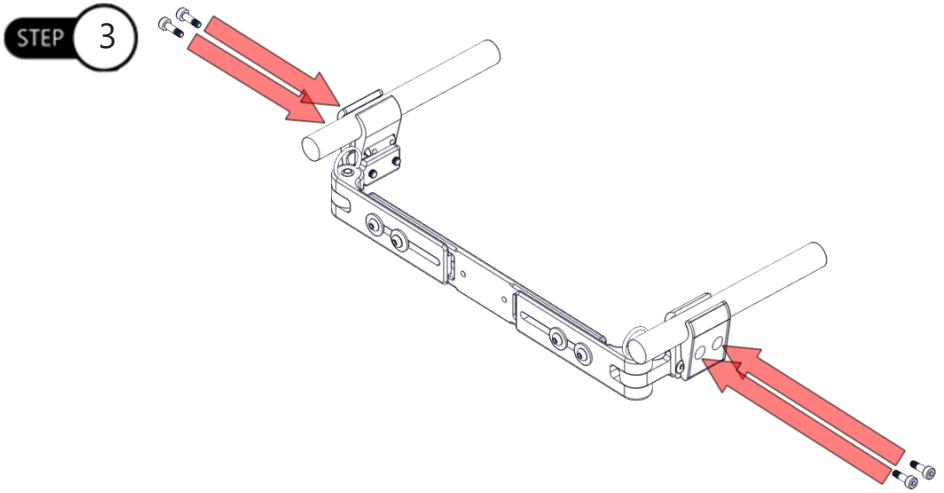
Step Three: Fasten both clamps to the canes, tightening the two socket head screws on each clamp to their specified torque levels; when the **HMA** is at the desired width, tighten the four button head screws to their specified torque levels.

STEP 1



STEP 2



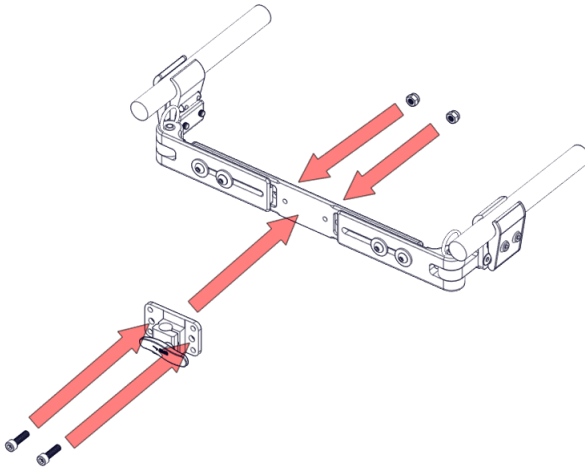


Attaching a Seat Back Mount Accessory

10.6

Step One: Align screws on **Seat Back Mount** accessory (**SBM**) with holes on the front of the **Hardware Mounting Adapter** (**HMA**).

Step Two: Secure the **SBM** to the **HMA**, tightening the **SBM's** screws into the corresponding nuts in the back of the **HMA**.



NOTICE

7

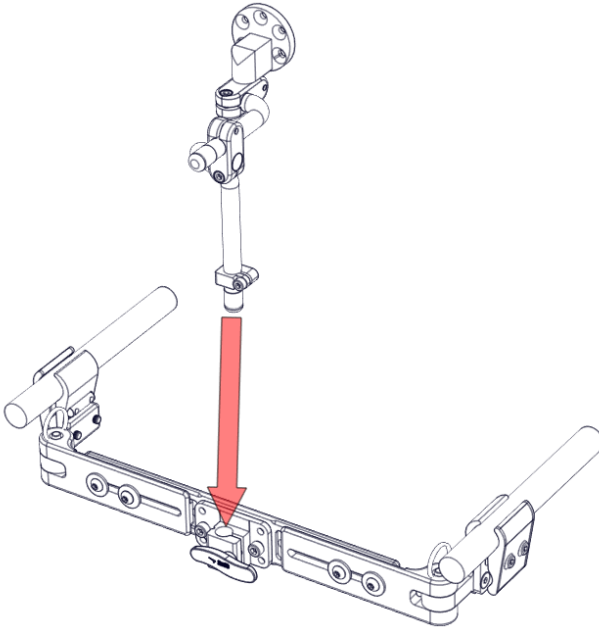
For accessory-specific torque specifications, refer to the installation manuals included with each accessory.

Attaching a Head Support Attachment

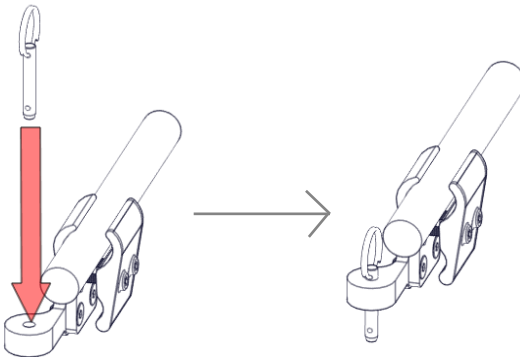
10.7

Step One: Slide tubing of head support attachment into the clamp of the **Seat Back Mount** accessory (**SBM**).

Step Two: When the head support attachment is in its desired position, tighten the **SBM** clamp using the handle on the front of the **SBM**.



Note: When detaching the front plate, store the **HMA's** pull pins in the holes located in the cane clamps' bases, as shown below:



NOTICE

Altering the hardware in any way or improper installation of the hardware will void the warranty.

Dealer Assistance

11.1

During first-time use by the client, it is advised that the dealer or service technician assist and explain the configuration of user positioning to the customer (the user and/or the attendant). If needed, the dealer can make final adjustments.

User Testing

11.2

It is important that the customer is fully aware of the installation of the **Hardware Mounting Adapter (HMA)**, how to use it, and how it can be adjusted to fit the client comfortably. As a dealer, proceed as follows:

- Explain to and show the customer how you have executed the installation and explain the hardware's function.

Have the user test the position of the **HMA**.

- Is the hardware in the proper position for the client?
- Can the user safely operate all controls with minimal effort?

If needed, make any adjustments to the positioning.

Explain possible problems to the customer and how to address them.

Conditions of Use

11.3

The **HMA** is intended for use as installed by the dealer, in accordance with the installation instructions in this manual.

- Ensure the foreseen conditions of use are communicated by the dealer or service technician to the user and/or attendant during the first-time use.
- If the usage conditions change significantly, please contact your dealer or a qualified service technician to avoid unintended damage.

Maintenance

12.1

These care and guideline instructions will keep the hardware and covers in good condition for a longer period of time and prevent damage:

- Check and re-tighten all fasteners to the proper torque specifications on a regular basis. Reference the installation manual to find proper torque specs.
- Repair or replace parts as needed.
- Gently remove dust and dirt from hardware with a soft, damp cloth.

Cleaning

12.2

- Use a soft cloth to gently clean the hardware.
- Ensure all cleaners are approved for finished steel and aluminum.

CAUTION

Always check all mounting hardware, making sure each fastener is properly tightened before using the back support.

SAFETY

Replace or repair parts as needed.

NOTICE

Altering the hardware in any way or improper installation of the hardware will void the warranty.



Stealth Products, LLC. • info@stealthproducts.com • www.stealthproducts.com
+1(800) 965-9229 | +1(512) 715-9995 | 104 John Kelly Drive, Burnet TX 78611