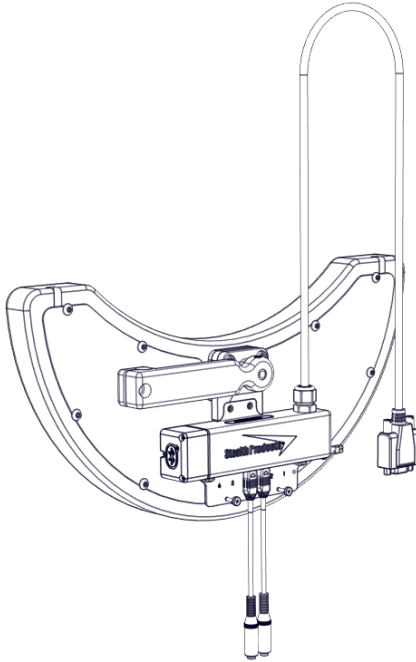




OWNER'S MANUAL



i-Drive Tray Array

Owner's Manual for IDT100-1 Tray Array with
Capacitive Proximity Sensors



Stealth Products strives for 100% customer satisfaction. Your complete satisfaction is important. Please contact us with feedback or to suggest changes that may help improve the quality and usability of our products. You may reach us at:



Stealth Products, LLC
104 John Kelly Drive
Burnet, TX 78611

Phone: (512) 715-9995
Fax: (512) 715-9954
info@stealthproducts.com

Toll Free: (800) 965-9229
Toll Free: (800) 806-1225
www.stealthproducts.com

General

Read and understand all instructions prior to the use of the product. Failure to adhere to instructions and warnings in this document may result in property damage, injury, or death. Product misuse due to failure to adhere to the following instructions will void the warranty.

Immediately discontinue use if any function is compromised, if parts are missing or loose, or if any component shows signs of excessive wear. Consult with your supplier for repairs, adjustments or replacements.

The Bluetooth® word mark and logos are registered trademarks owned by Bluetooth SIG, Inc., and any use of such marks by Stealth Products, LLC is under license. Other trademarks and trade names are those of their respective owners.

Important Information

All persons responsible for fitting, adjustment, and the daily use of devices discussed in these instructions must be familiar with and understand all safety aspects of the devices. In order for our products to be used successfully, you must:

- read and understand all instructions and warnings;
- maintain our products according to our instructions on care and maintenance; and
- ensure devices are installed and adjusted by a trained technician.

All assemblies and configurations *must* be completed by a dealer or a trained technician.

This manual contains instructions and statements meant to be followed by dealers or trained technicians.

Supplier Reference

Supplier: _____

Telephone: _____

Address: _____

Purchase Date: _____

Model: _____

This owner's manual is designed to guide you through your product's options and possibilities.

Instructions are written with the expressed intent of use with standard configurations. They contain important safety and maintenance information, as well as describe possible problems that can arise during use. For further assistance or more advanced applications, please contact your supplier or Stealth Products at (512) 715-9995 or toll free at (800) 965-9229.

Always keep the operating instructions in a safe place so they may be referenced as necessary.

All information, pictures, illustrations, and specifications are based on the product information that was available at the time of printing. Pictures and illustrations shown in these instructions are representative examples and are not intended to be exact depictions of the various parts of the product.

 **WARNING**

These products are designed to be fitted, applied, and installed exclusively by a healthcare professional trained for these purposes. The fitting, application and installation by a non-qualified individual may result in serious injury.

Ordering Documentation

You can download additional copies of this user manual by accessing the Stealth website (www.stealthproducts.com) and searching "i-Drive Tray Owner's Manual" in the search bar at the top of the page.

Our products are designed, manufactured, and produced to the highest standards. If any defect in material or workmanship is found, Stealth Products, LLC will repair or replace the product at our discretion. Any implied warranty, including the implied warranties of merchantability and fitness for a particular purpose, shall not extend beyond the duration of this warranty. Stealth Products, LLC does not warrant damage due to, but not limited to:

- misuse, abuse, or misapplication of products; and/or
- modification of products without written approval from Stealth Products, LLC.

Any lack or alteration of serial number, where applicable, will automatically void this warranty.

Stealth Products, LLC is liable for replacement parts only. Stealth Products, LLC is not liable for any incurred labor costs.

No person is authorized to alter, extend, or waive the warranties of Stealth Products, LLC.

Stealth Products, LLC warrants against failure due to defective materials or workmanship:

Covers: 180 days

Hardware: 5 years

Electronics: 3 years

In Case of Product Failure

In the event of product failure covered by our warranty, please follow the procedures outlined below:

1. Call Stealth Products at (512) 715-9995 or toll free at (800) 965-9229.
2. Request a Return Authorization (RA) form from the Returns Department and follow documentation instructions.

1.0 Customer Satisfaction i

2.0 Important Information..... ii

3.0 Introduction iii

4.0 Warranty iv

5.0 Table of Contents v

6.0 Warning Labels..... vii

 6.1 Warning Labelsvii

 6.2 Limited Liability.....vii

 6.3 Testingvii

7.0 Design and Function..... 1

 7.1 Intended Use 1

 7.2 Features 1

 7.3 Mounting Options..... 1

8.0 Parts and Accessories 2

 8.1 IDT100-1 Package Components.....2

9.0 Installation Information..... 3

 9.1 Preparations.....4

 9.2 Tools.....4

 9.3 Installation Plan4

 9.4 Required Tools.....5

 9.5 Torque Specifications5

 9.6 Installing the IDT100-1.....6

10.0 First-Time Use	12
10.1 Dealer Assistance	12
10.2 User Testing	12
10.3 Conditions of Use.....	12
11.0 Maintenance.....	13
11.1 Cleaning	13
11.2 Disinfecting.....	13
11.3 General Maintenance.....	13
12.0 Notes.....	14

Warning Labels

6.1

Warnings are included for the safety of the user, client, operator, and property. Please read and understand what the signal words **DANGER, WARNING, CAUTION, NOTICE** and **SAFETY** mean, and how they could affect the user, those around the user, and property.

DANGER

Identifies an **imminent** situation which, if not avoided, may result in **severe injury, death, and/or property damage**.

WARNING

Identifies a **potential** situation which, if not avoided, may result in **severe injury, death, and/or property damage**.

CAUTION

Identifies a **potential** situation which, if not avoided, may result in **minor to moderate injury and/or property damage**.

NOTICE

Identifies important information not related to injury, but possible **property damage**.

SAFETY

Indicates steps or instructions for safe practices, reminders of safe procedures, or important safety equipment that may be necessary.

Limited Liability

6.2

Stealth Products, LLC accepts no liability for personal injury or damage to property that may arise from the failure of the user or other persons to follow the recommendations, warnings, and instructions in this manual.

Stealth Products, LLC does not hold responsibility for final integration or final assembly of product to end user. Stealth Products, LLC is not liable for user death or injury.

Testing

6.3

Initial setup and driving should be done in an open area free of obstacles until the user is fully capable of driving safely.

Intended Use

7.1

An i-Drive tray array is intended for use as an alternative drive control solution for power wheelchairs. i-Drive trays are uniquely beneficial to individuals who, due to poor tone or head control, would be otherwise unable to successfully operate other i-Drive configurations, such as the i-Drive head arrays.

i-Drive trays are offered with capacitive and fiber optic proximity sensor options, as well as mounting solutions customized to maximize user comfort and accessibility.

Features

7.2

An i-Drive tray array offers:

- capacitive or fiber optic proximity sensor options;
- swing-away or locking mounting options;
- an easy installation process; and
- a hollow body to allow for unhindered cable configuration.

Mounting Options

7.3

i-Drive trays are offered with the following mounting options:

- Gatlin 400 Series (eight locking positions)
- Gatlin 405 Series (three locking positions/swing-away)

The Gatlin 400 Series will mount to the wheelchair via the ARM240-I or the ARM250-I mounting clamps, while the Gatlin 405 Series will mount via the ARM240 or the ARM250-S mounting clamps. Further installation information can be found in each mount's owner's manual.

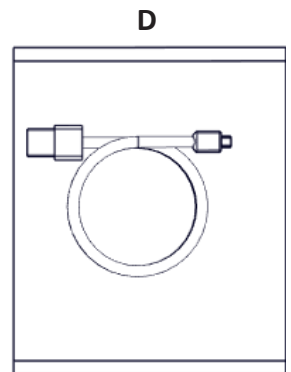
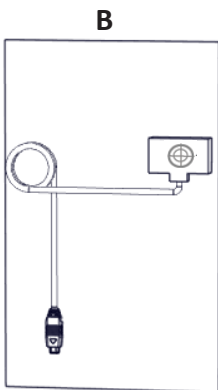
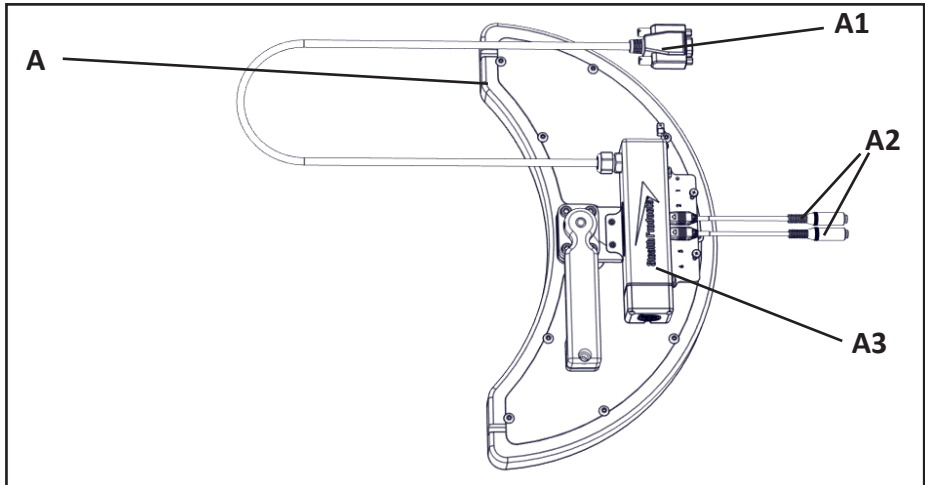
(Note: All Eclipse trays come standard with the GAT419 tray mount. A GAT413 is available upon request.)

IDT100-1 Package Components

8.1

The IDT100-1 package is comprised of the following parts:

- GAT400 Eclipse Tray (**A**) with
 - Nine-Pin (DB9) Male/Female Extension, 5" (**A1**)
 - Two Hirose Micro-Mini Interface Connector-to-Female Mono Input Dongsles (**A2**)
 - Mounted i-Drive Interface (**A3**)
- Four Capacitive Proximity Sensors (**B**)
- Egg Switch (**C**) with Hook-and-Loop Application Patches
- USB-to-Mini USB Connector Cord (**D**)



Installation Instructions

Preparations

9.1

Only a qualified service technician should install i-Drive tray arrays.

WARNING

An incorrect installation of the tray array or its accessories may cause damage to the hardware and/or injury to the user.

Tools

9.2

Use the proper tools to install and adjust the i-Drive tray to the desired position for the user. Ensure all torque specifications are followed.

CAUTION

The use of improper tools may damage the device. Not tightening to the torque specification can cause components to fail or cause the user discomfort.

Installation Plan

9.3

Set up an installation plan before beginning the installation. This plan should take into account:

- where the i-Drive tray will be placed;
- how the tray array will be operated; and
- the amount of necessary clearance for other hardware and accessories.

WARNING

Ensure the wheelchair is completely powered off before installing the i-Drive tray array.

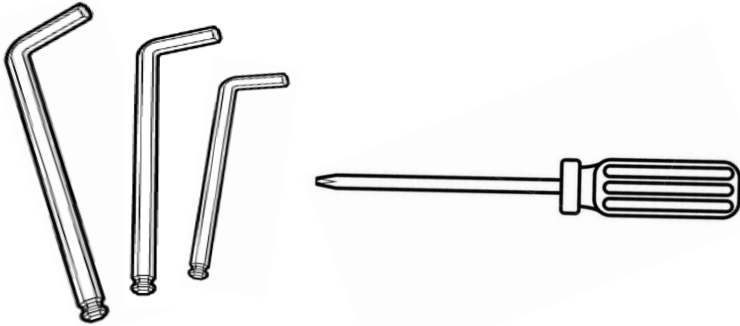
CAUTION

Connections should always be secured with all delivered screws. Only use the screws provided in the package.

Required Tools

9.4

The tools required to install an IDT100-1 are:



Tool:	Used on:
1/8" Hex Key	M5 x 0.8 x 6mm Button Head Screws (2)
3/16" Hex Key	1/4-20 x 1/4" Set Screw (1)
5/32" Hex Key	#10-32 x 1" Socket Head Screws (4)
3/32" Hex Key	#6-32 x 7/8" Button Head Screws (10)
#1 Phillips Screwdriver	Phillips Head Screws (2)

(Note: Tools are not included in the IDT100-1 package.)

Torque Specifications

9.5

The torque specifications for IDT100-1 hardware are as follows:

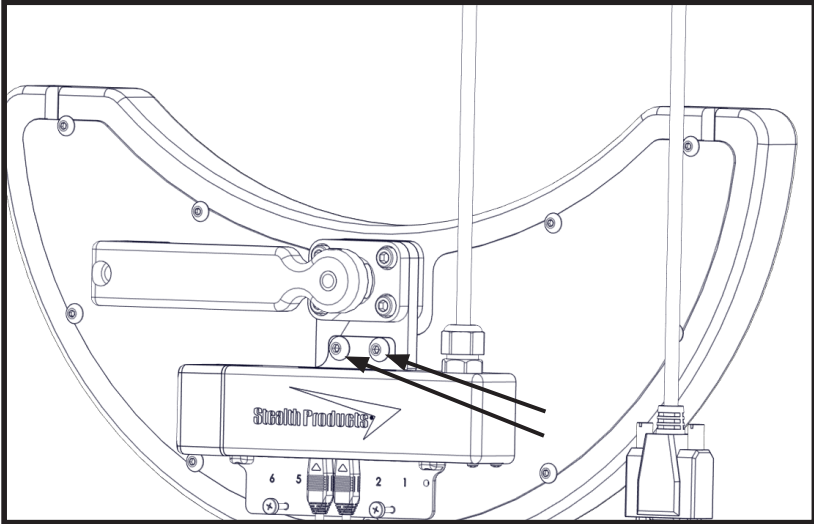
Hardware:	Torque Specifications:
M5 x 0.8 x 6mm Button Head Screws	4.6 N-m
#10-32 x 1" Socket Head Screws	31.7 lb-in.
#6-32 x 7/8" Button Head Screws	9.6 lb-in.
Phillips Head Screws	5.2 lb-in.

Installing the IDT100-1

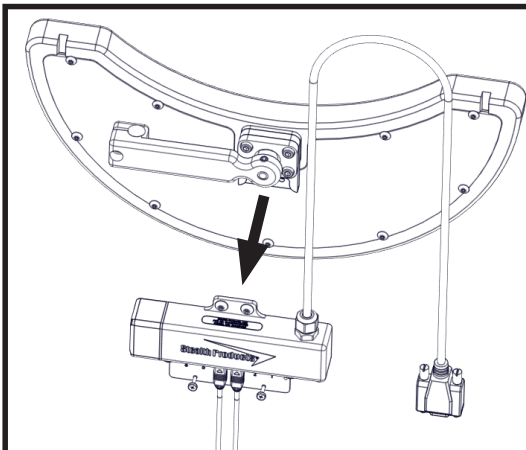
9.6

Step One: Prior to installation, choose the ideal tray location for the proximity sensors.

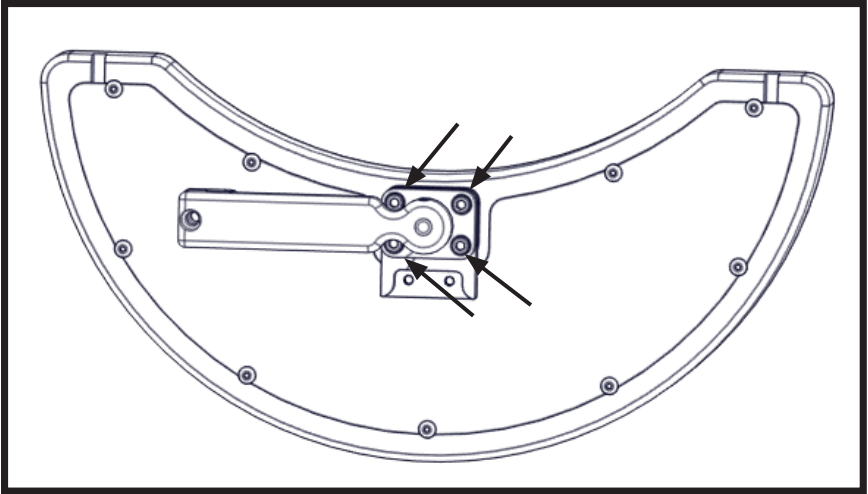
Step Two: Using a 1/8" hex key, loosen the two M5 x 0.8 x 6mm button head screws attaching the i-Drive to the tray.



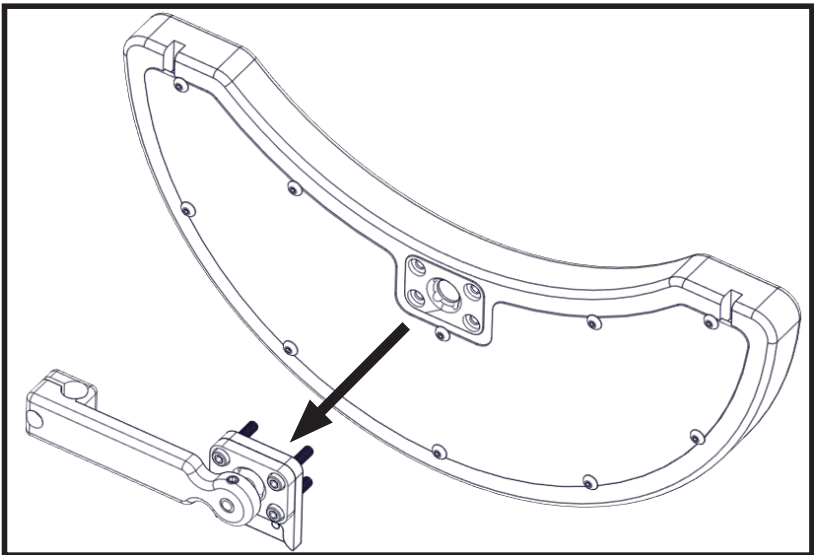
Step Three: Having loosened the two M5 x 0.8 x 6mm button head screws, detach the i-Drive from the tray.



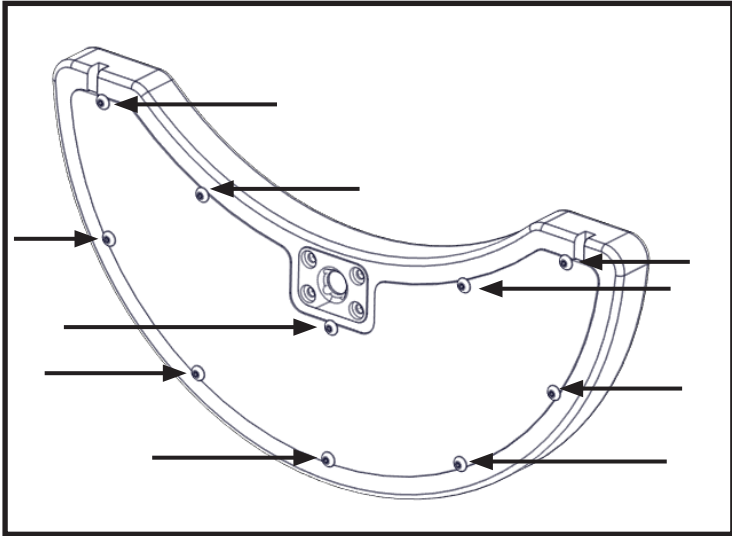
Step Four: Using a 5/32" hex key, loosen the four #10-32 x 1" socket head screws attaching the tray mount to the tray.



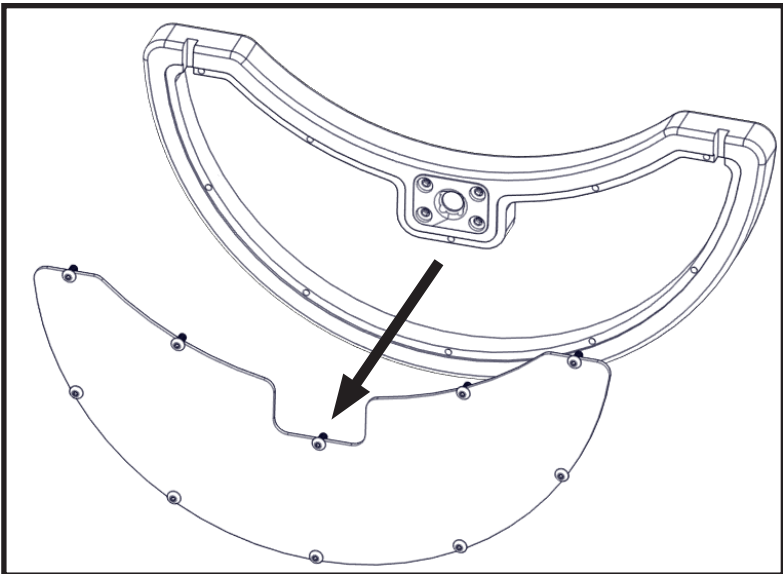
Step Five: Having loosened the four #10-32 x 1" socket head screws, detach the tray mount from the tray.



Step Six: Using a 3/32" hex key, loosen the ten (10) #6-32 x 7/8" button head screws attaching the back plate to the tray.

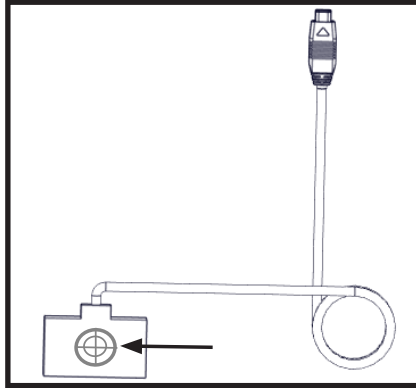


Step Seven: Having loosened the ten (10) #6-32 x 7/8" button head screws, remove the back plate from the tray.

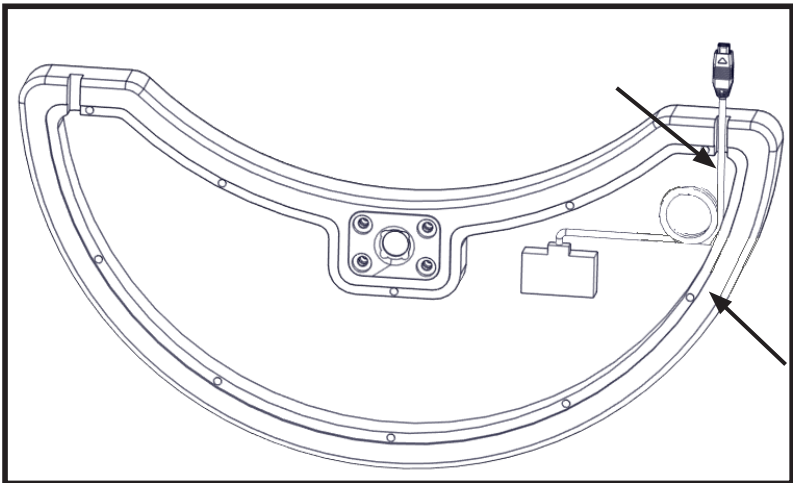


Step Eight: Using the hook-and-loop patches, attach each proximity sensor in its desired location inside the hollow tray body.

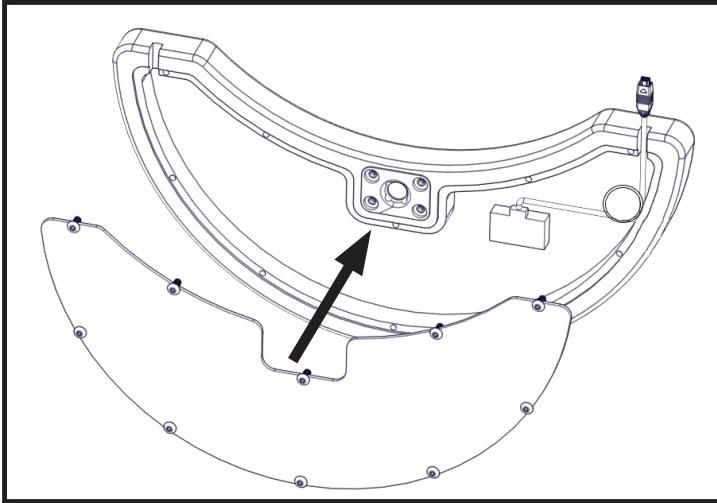
Each proximity sensor has a bullseye on it that, when installed correctly, should face upward inside the tray body.



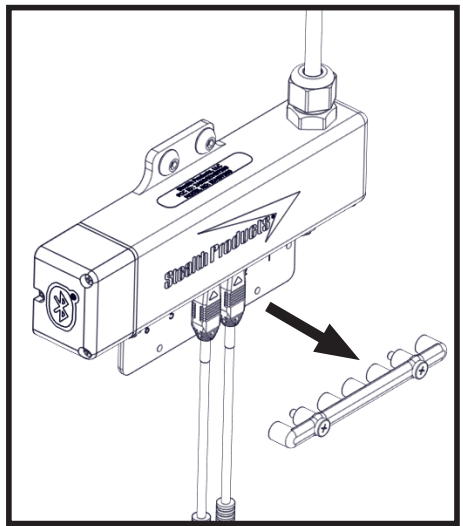
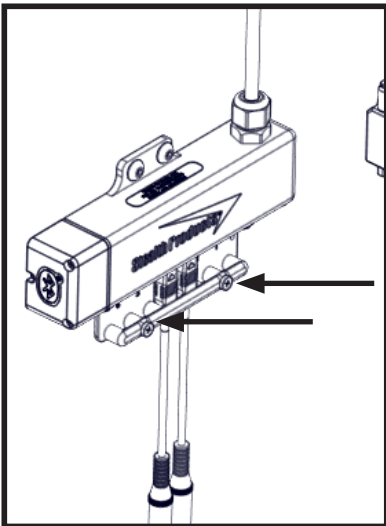
When installing the proximity sensors inside the tray body, ensure each sensor's cable has been fed through the cable slots cut into the tray. Gently loop the excess cable inside the tray to prevent wear or fraying.



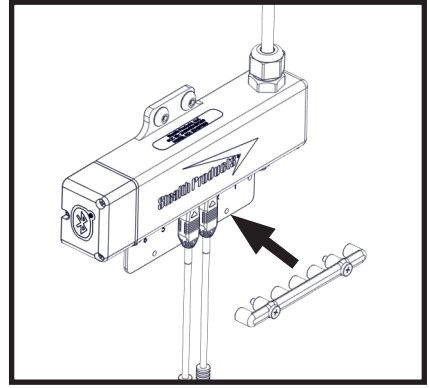
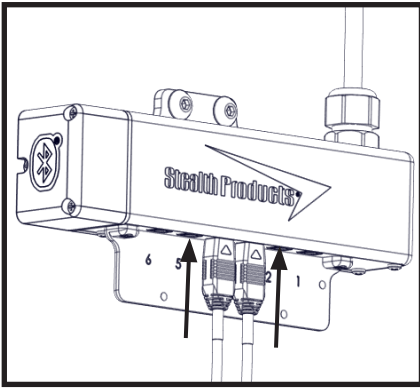
Step Nine: Having used the hook-and-loop patches to install the proximity sensors in their desired locations, replace the tray's back plate and tighten the ten (10) screws.



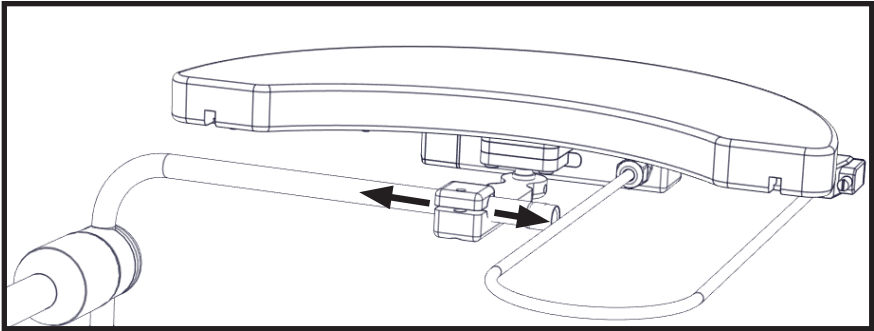
Step Ten: Locate the two Phillips head screws on the i-Drive's input plug bar. Using a #1 Phillips screwdriver, loosen both screws and detach the input plug bar from the i-Drive.



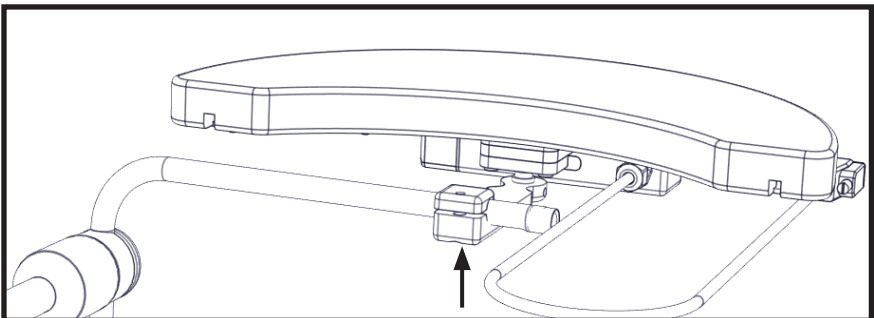
Step Eleven: Plug the sensors into the desired input channels on the i-Drive, then replace the input plug bar and tighten both its screws to secure it.



Step Twelve: Slide the tray assembly onto the arm of the Gatlin mounting system, moving the tray assembly until it is in the desired position.



Step Thirteen: When the tray is in its desired position, use a 3/16" hex key to tighten the 1/4-20 x 1/4" set screw on the clamp and secure the tray assembly in place.



Dealer Assistance

10.1

During first-time use by the client, it is advised that the dealer or service technician not only assembles the components, but also explains the configuration or user positioning to the customer (i.e., the user and/or the attendant). If needed, the dealer or service technician can make final adjustments.

User Testing

10.2

It is important that the customer is fully aware of the installation of the i-Drive tray array, how to operate it, and how it can be adjusted according to the needs of the client. A dealer should explain and demonstrate the necessary installation steps, and should explain the functions of the device's components.

Have the user test the position of the i-Drive tray array.

- Is the hardware in the proper position for the client?
- Can the user safely operate all controls with minimal effort?

If necessary, make adjustments to the positioning. Explain potential problems to the customer and how best to address them.

Conditions of Use

10.3

i-Drive tray arrays are intended for use as installed by a dealer or service technician, in accordance with the installation instructions in this manual.

- The foreseen conditions of use are communicated by the dealer or service technician to the user and/or attendant during the first-time use.
- If the usage conditions change significantly, please contact your dealer or a qualified service technician to avoid unintended damage.

Cleaning

11.1

Use a soft, damp cloth to clean the hardware and its components. Ensure all cleaners are approved for finished steel and aluminum.

Disinfecting

11.2

Gently wipe the hardware with a soft cloth dampened with a household disinfectant.

General Maintenance

11.3

These care and guideline instructions will keep the hardware in good condition for a longer period of time and will prevent damage:

- Check and re-tighten all fasteners to the proper torque specifications on a regular basis. Reference the installation manual to find proper torque specifications.
- Check components for any breakdown.
- Repair or replace parts as needed.
- Gently remove dust and dirt from hardware with a soft, damp cloth.

SAFETY

Replace or repair parts as needed.

NOTICE

Alteration or improper installation of the components included in i-Drive tray arrays will void their warranties.



Stealth Products, LLC. • info@stealthproducts.com • www.stealthproducts.com
+1(800) 965-9229 | +1(512) 715-9995 | 104 John Kelly Drive, Burnet TX 78611