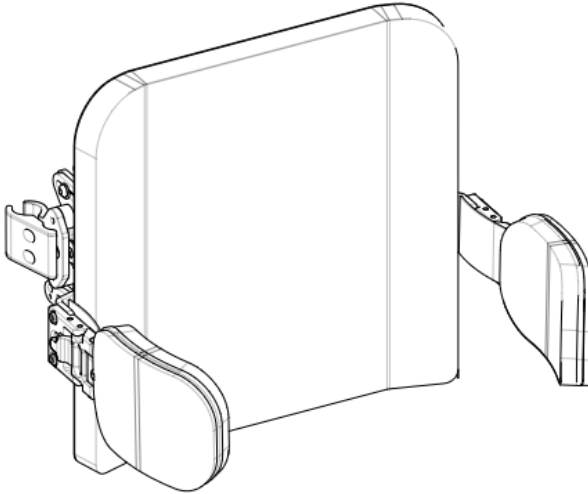


Stealth Products[®]

Backs and Support



OWNER MANUAL



True Forming Back

True Forming Back Owner's Manual

Stealth Products strives for 100% customer satisfaction. Your complete satisfaction is important. Please contact us with feedback or suggested changes that will help improve the quality and usability of our products. You may reach us at:



Stealth Products, LLC

104 John Kelly Drive, Burnet, TX 78611

Phone: (512) 715-9995

Toll Free: 1(800) 965-9229

Fax: (512) 715-9954

Toll Free: 1(800) 806-1225

info@stealthproducts.com

www.stealthproducts.com



MDSS GmbH

Schiffgraben 41

30175 Hannover, Germany



General

Read and understand all instructions prior to the use of the product. Failure to adhere to instructions and warnings in this document may result in property damage, injury, or death. Product misuse due to failure of the following instructions will void the warranty.

Immediately discontinue use if any function is compromised, parts are missing, loose, or shows signs of excessive wear. Consult with your supplier for repair, adjustment, or replacement.

Important Information!

All persons responsible for fitting, adjustment, and daily use of the devices discussed in these instructions must be familiar with and understand all safety aspects of the devices mentioned. In order for our products to be used successfully, you must:

- Read and understand all instructions and warnings.
- Maintain our products according to our instructions on care and maintenance.
- Devices should be installed and adjusted by a trained technician.

Supplier Reference

Supplier: _____

Telephone: _____

Address: _____

Purchase Date: _____

Model: _____

The installation instructions will guide you through the options and possibilities with the product.

Instructions are written with the expressed intent of use with standard configurations. They also contain important safety and maintenance information, as well as describe possible problems that can arise during use. For further assistance, or more advanced applications, please contact your supplier or Stealth Products at (512) 715-9995 or toll free at 1-800-965-9229.

Always keep the operating instructions in a safe place so they may be referenced as necessary.

All information, pictures, illustrations, and specifications are based on the product information that was available at the time of printing. Pictures and illustrations shown in these instructions are representative examples and are not intended to be exact depictions of the various parts of the product.

CAUTION

These products are designed to be fitted, applied, and installed exclusively by a health care professional trained for these purposes. The fitting, application and installation by a non-qualified individual could result in serious injury.

Ordering Documentation

You can download additional copies of this user manual on the Stealth website: www.stealthproducts.com

Or search:

Tue Forming R-Back Owner's Manual in the search bar at the top of the page.

Our products are designed, manufactured, and produced to the highest of standards. If any defect in material or workmanship is found, Stealth Products will repair or replace the product at our discretion. Any implied warranty, including the implied warranties of merchantability and fitness for a particular purpose, shall not extend beyond the duration of this warranty. Stealth Products, LLC does not warrant damage due to, but not limited to:

- Misuse, abuse, or misapplication of products.
- Modification of product without written approval from Stealth Products, LLC.
- Any alteration or lack of serial number, where applicable, will automatically void this warranty.
- Stealth Products, LLC is liable for replacement parts only.
- Stealth Products, LLC is not liable for any incurred labor costs.

No person is authorized to alter, extend, or waive the warranties of Stealth Products, LLC.

Stealth Products warrants against failure due to defective materials or workmanship:

Covers: 180 days

Hardware: 5 years

Electronics: 3 years

In Case of Product Failure

In the event of product failure covered by our warranty, please follow the procedures outlined below:

1. Call Stealth Products at +1 (512) 715-9995 or toll free at +1 (800) 965-9229.
2. Request the Returns Department or obtain a Return Authorization (RA) from the Returns Department and follow department documentation instructions.

1.0 Customer Satisfaction	i
2.0 Important Information	ii
3.0 Introduction	iii
4.0 Warranty	iv
5.0 Table of Contents	v
6.0 Warning Labels	vii
6.1 Warning Labels	vii
6.2 Limited Liability.....	vii
6.3 Testing	vii
7.0 Design and Function	1
7.1 Intended Use	1
7.2 Features	1
7.3 Mounting	1
8.0 Features	2
8.1 Parts and Accessories Breakdown	2
8.2 Possible Back Dimensions	3
8.3 Lateral Hardware Package	4
9.0 Parts and Accessories	6
9.1 Hardware Parts.....	6
9.2 TFB Backrest.....	7

10.0 Installation Instructions 8

 10.1 Preparations8

 10.2 Tools.....8

 10.3 Installation Plan.....8

 10.4 Required Tools/ Torque Chart.....9

 10.5 Installing the Laterals..... 10

 10.6 Installing the Cushion to the Laterals..... 11

11.0 Adjustments 12

 11.1 Lateral Adjustments..... 12

12.0 First Time Use..... 13

 12.1 Dealer Assistance 13

 12.2 User Testing 13

 12.3 Conditions of Use..... 13

13.0 Maintenance..... 14

 13.1 Cleaning 14

 13.2 Disinfecting..... 15

 13.3 Maintenance..... 15

14.0 Notes..... 16

Warning Labels

6.1

Warnings are included for the safety of the user, client, operator and property. Please read and understand what the signal words **SAFETY, NOTICE, CAUTION, WARNING** and **DANGER** mean, how they could affect the user, those around the user, and property.

DANGER

Identifies an **imminent** situation which (if not avoided) will result in **severe injury, death, and property damage**.

WARNING

Identifies an **potential** situation which (if not avoided) will result in **severe injury, death, and property damage**.

CAUTION

Identifies an **potential** situation which (if not avoided) will result in **minor to moderate injury, and property damage**.

NOTICE

Identifies important information not related to injury, but possible **property damage**.

SAFETY

Indicates steps or instructions for safe practices, reminders of safe procedures, or important safety equipment that may be necessary.

Limited Liability

6.2

Stealth Products, LLC accepts no liability for personal injury or damage to property that may arise from the failure of the user or other persons to follow the recommendations, warnings, and instructions in this manual.

Stealth Products does not hold responsibility for final integration of final assembly of product to end user. Stealth Products is not liable for user death or injury.

Testing

6.3

Initial setup and driving should be done in an open area free of obstacles until the user is fully capable of driving safely.

Intended Use

7.1

The TFB, True Forming Back, bestows absolute comfort, custom fit options, and trouble-free adjustability. Our hardware is durable, easily accessible, and is hidden with a Velcro attached back for a clean, sleek look.

The TFB allows for optimal fitting through a flexible back structure. The lightweight aluminum plate embraces the contour of the back providing and maintaining the proper positioning of the trunk and pelvis.

The standard TFB model comes with a dual layer foam for ultimate comfort.

Features

7.2

The TFB features:

- Angle adjustment without loss of seat depth
- Depth and Width adjustment
- Lateral push buttons allow quick release swing-away to easily transfer client from chair
- Smooth finished edging on all parts
- Fully adjustable to meet the needs of almost any client
- Thin profile design for mounting in areas with little room for mounting adductors

Mounting

7.3

The TFB is designed to be removable and have additional width, angle, and depth adjustments if needed. This hardware can mount with almost all chairs which have canes or tubes. The TFB can use many types of positioning belts and supports and works with multiple headrests including the TWB480 and HMO series. Works with J&L mounting hardware, 2 point-quick release, all purpose knob or trouble free mounting hardware. Can be fitted with single or double wings for lateral support.

Parts and Accessories Breakdown

8.1

A typical TFB package will come with:

1. Back

- Composed of an Aluminum frame and Foam with either a Neoprene, Airmesh, or Coolcore cover. The back also has the option of being Foam in Place.

2. Mounting Hardware

- The types of mounting hardware for the back are J&L, Quick Release, All Purpose Knob, and Trouble Free.

3. Lateral Wings

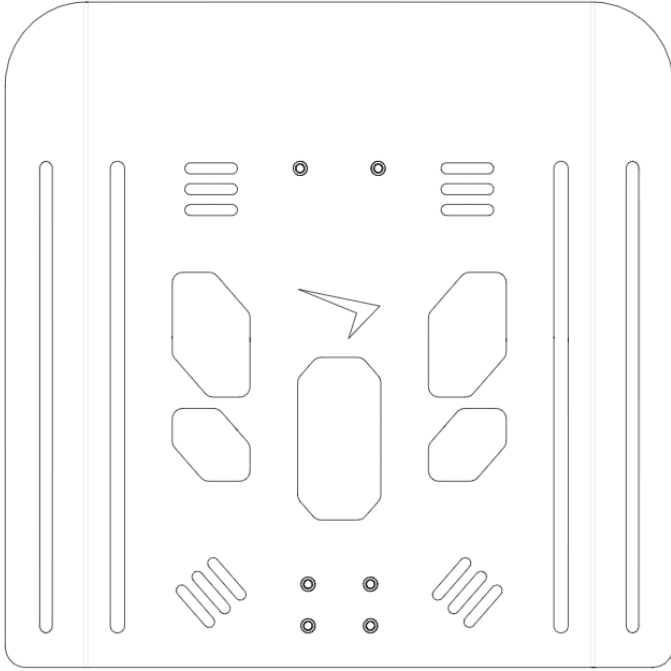
- Lateral wings can be mounted in many different configurations and can come in pairs or even groups of four. They can have a variety of cushions to support the client and come in various swing away and articulating styles to make moving from the chair easier.

NOTICE

Refer to the TFB Hardware Manual for the Parts and Accessories of the hardware chosen for your TFB Back.

Possible Back Dimensions

8.2



Width	Height
10"	10"
10"	11"
10"	12"
10"	13"
10"	14"

Width	Height
12"	12"
12"	13"
12"	14"
12"	15"
12"	16"

Width	Height
14"	14"
14"	15"
14"	16"
14"	17"
14"	18"

Width	Height
16"	16"
16"	17"
16"	18"
16"	19"
16"	20"

Width	Height
18"	16"
18"	17"
18"	18"
18"	19"
18"	20"

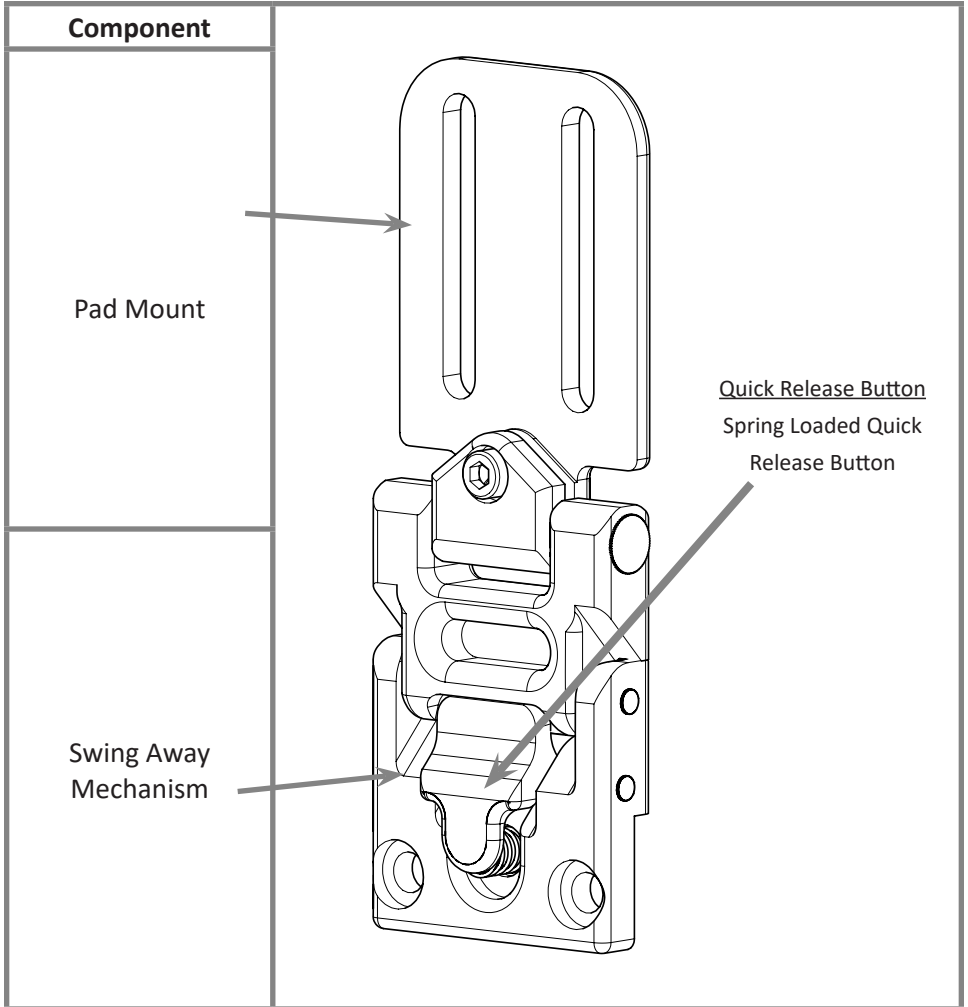
Width	Height
20"	16"
20"	17"
20"	18"
20"	19"
20"	20"

Note: The back design will be slightly different depending on the size and type.

Lateral Hardware Package

8.3

The following hardware is included for the Lateral hardware:

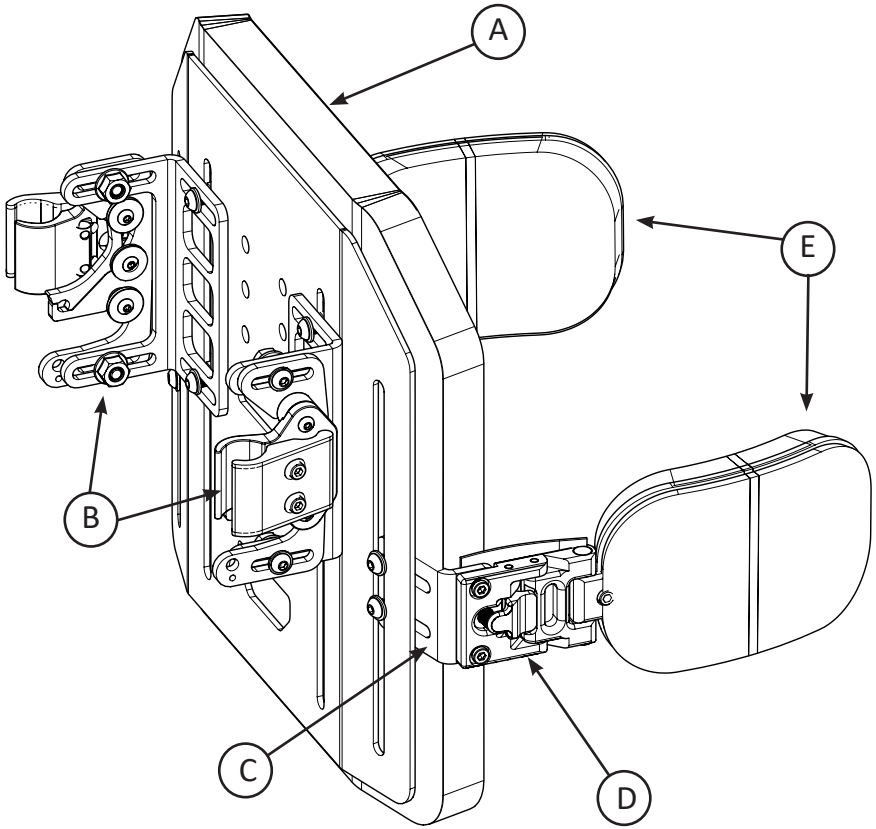


Note: The Lateral design will be slightly different depending on the model chosen. A TWBL is shown, but many of the Laterals will have the same components.

Installation Instructions

Hardware Parts

9.1

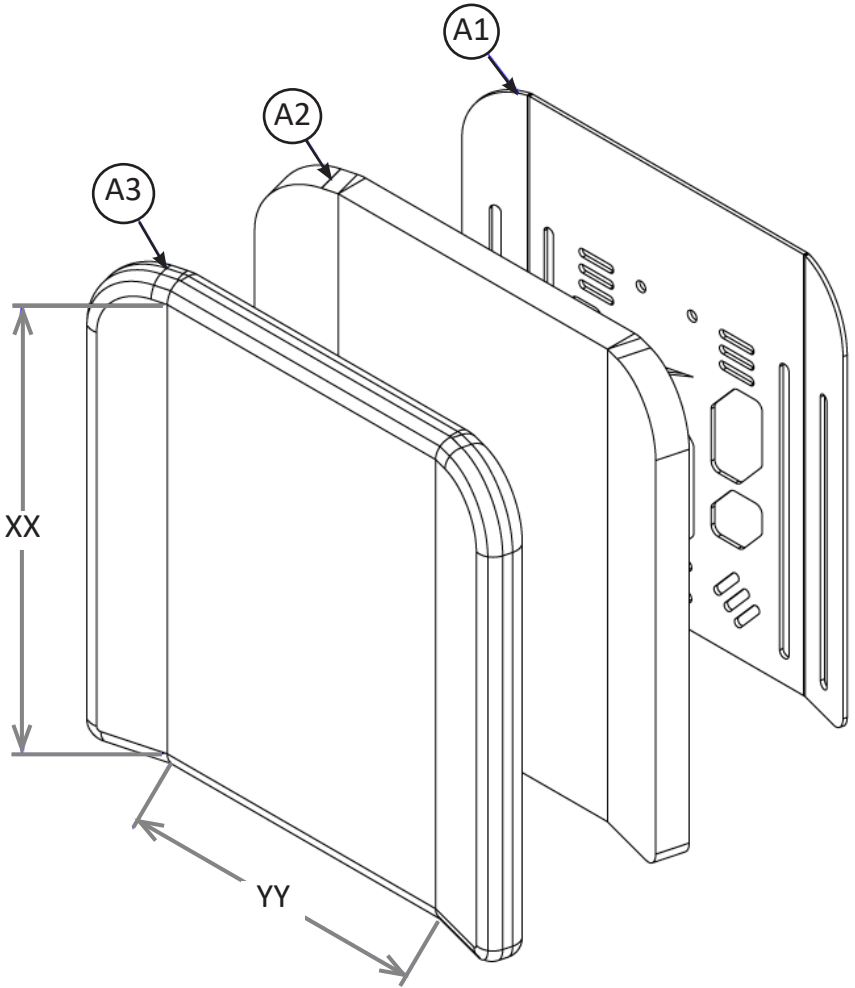


		Description	Qty.
A	Back	True Forming R-Back and Cushion	1
B	Hardware Kit*	Mounting Bracket	2
C	Lateral Bracket	Lateral Bracket	2
D	Lateral	Lateral Wing	2
E	Support Cushion	Lateral Cushion and Cover	2

Note: Quick Release Hardware is shown, the actual hardware for your equipment will vary, see the Owner's Manual for your TFB Hardware for Parts and Accessories.

TFB Backrest

9.2



ID	Part Number	Description	Qty.
A1	TFBSHXXYYR*	X Width by X Height Shell	1
A2	TFBF0XXYYR*	X Width by X Height TFB Foam	1
A3	FBC0XXYYR*	X Width by X Height Cover	2

Preparations

10.1

Only a qualified service technician may install the TFB back and its accessories.

WARNING

An incorrect installation of the TFB and its accessories may cause damage to the hardware and/or injury to the user.

Tools

10.2

Use the proper tools to install and adjust the TFB to the desired position for the user. Ensure all torque specifications are followed.

CAUTION

The use of improper tools may cause damage to the device. Not tightening to the torque specification can cause components to fail or cause discomfort to the user.

Installation Plan

10.3

Set up an installation plan before beginning the installation. This plan should take into account:

- Where the TFB will be placed as well as applicable laterals and support cushions
- How the TFB will be operated - the quick release functions for the mount and laterals
- Sufficient clearance of other hardware and accessories

CAUTION

Any connection must always be secured with all delivered screws. Only use the screws provided in the package.

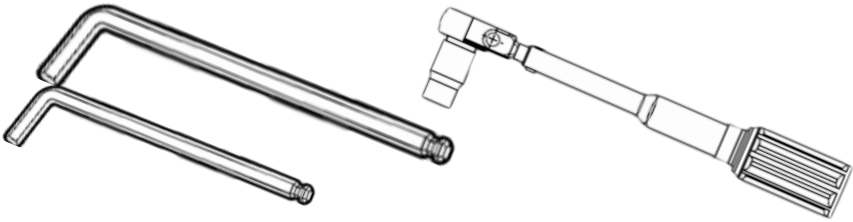
CAUTION

READ AND UNDERSTAND THE INSTALLATION INSTRUCTIONS FOR YOUR TFB HARDWARE INCLUDED IN THE SEPARATE TFB HARDWARE MANUAL.

Required Tools

10.4

The tools needed to complete the installation of the Laterals are as follows:



Hardware	Description
5/32" T-Handle	Lateral Mounting (F1)
1/8" T-Handle	Lateral Cushion Mount (G8); Socket Head Screw on Lateral (F5)
4mm T-Handle	Button Head Screws on Lateral Bracket (E1)

CAUTION

ADDITIONAL TOOLS REQUIRED FOR THE TFB HARDWARE ARE LISTED IN THE INSTALLATION INSTRUCTIONS OF THE SEPARATE TFB HARDWARE MANUAL.

Tools are not provided. Refer to the manuals for additional accessories for the list of tools required for their installation.

Screws	Torque Specifications
M6 x 1 x 12mm Button Head Screw (E1)	10nM
1/4-20 x 3/8" Button Head Screw (F1)	125in-lbs
10-32 x 3/8" Socket Head Screw (F5)	90in-lbs
10-32 x 5/8" Button Head Screw (G8)	65in-lbs

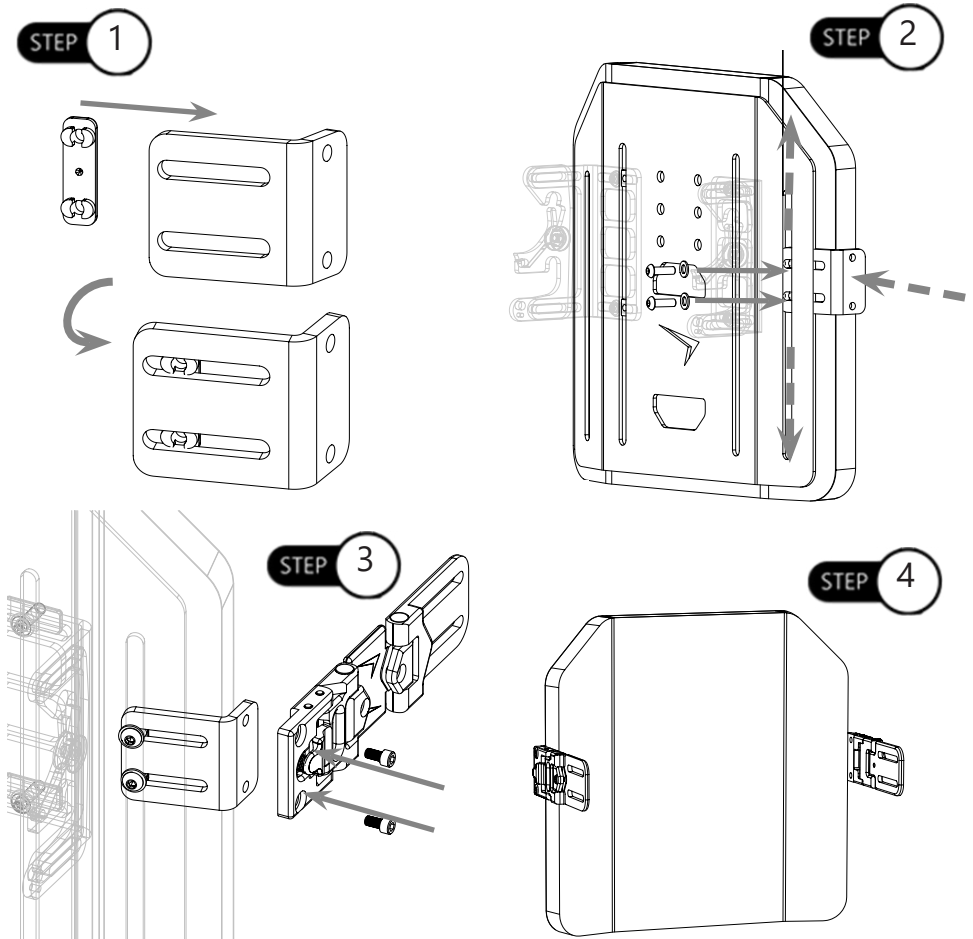
CAUTION

TORQUE SPECIFICATIONS FOR YOUR TFB HARDWARE CAN BE FOUND IN THE TFB HARDWARE MANUAL.

Installing the Laterals

10.5

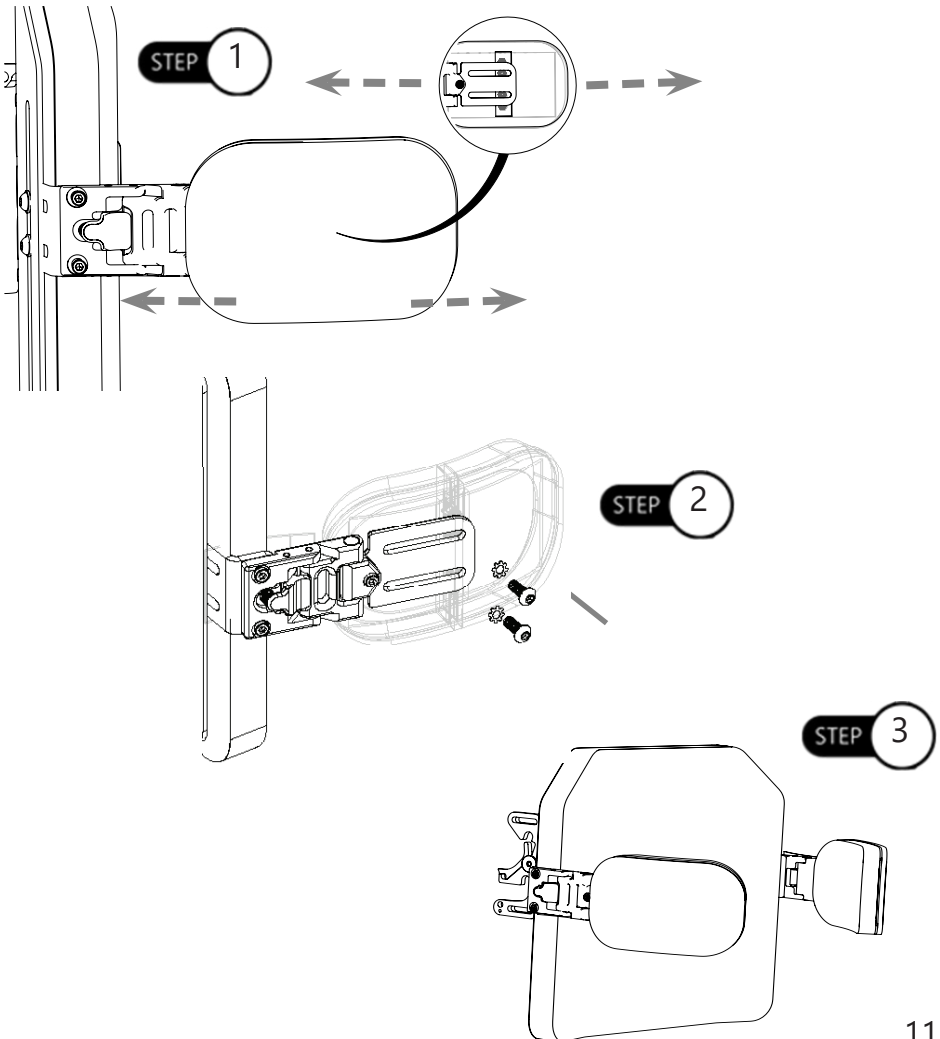
- Step One:** Place the Q-back lateral track nut (E4) into the groove of the 125° lateral bracket (E3).
- Step Two:** Slide the 125° lateral bracket (E3) between the aluminum (A3) and covered foam back (A1+2). After having the bracket in the correct position, use the two M6 x 1 x 12MM button head cap screws (E1), each with a 1/4" washer (E2), to secure the bracket in place to 10nM of torque.
- The depth that the bracket is placed can be adjusted to change the horizontal placement of the lateral to the appropriate position for the user.
 - The vertical alignment of the bracket can be adjusted anywhere along the back rest track.
- Step Three:** Use the two #1/4-20 x 3/8" button head screws (F1) to secure the lateral (F) to the bracket.
- Step Four:** Repeat steps 1-3 to mount each additional thin lateral.



Installing the Cushion to the Laterals

10.6

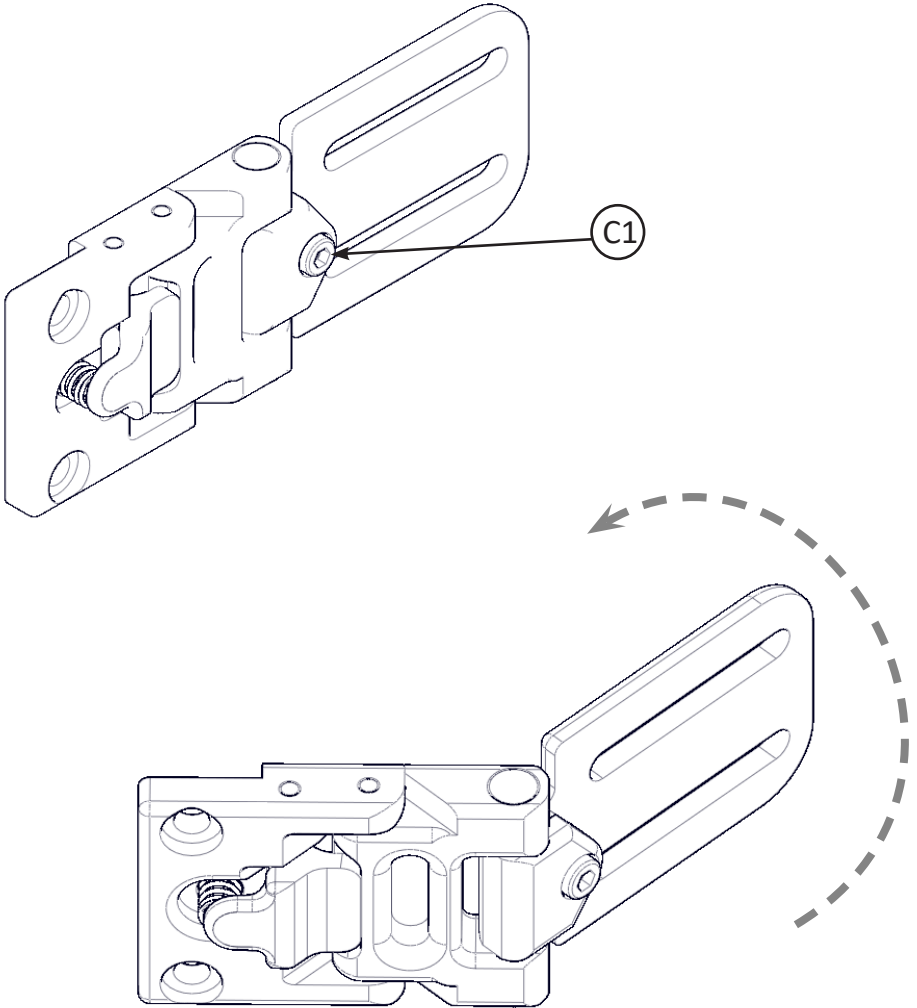
- Step One:** Slide the cushion (G) onto the lateral (F) using the flap on the back of the cushion cover (G1), align the holes on the curved metal plate of the cushion (G4) with the track on the lateral pad mount (F4). The position of the cushion can be adjusted by aligning it anywhere on the lateral track.
- Step Two:** With the cushion in the correct place, use the two #10-32 x 5/8" button head cap screws (G8), each with a #10 external tooth lock washer (G7) to secure the cushion in place.
- Step Three:** Repeat steps 1-2, to mount each additional cushion to each additional lateral.



Lateral Adjustments

11.1

To adjust the angle of the Lateral hardware, use a 1/8" T-Handle on the 10-32 x 3/8" Socket Head Screw (C1), loosen the screw, adjust to the optimal position for the user and tighten securely to lock in place.



Dealer Assistance

12.1

During first time use by the client, it is advised that the dealer or service technician assists and explains the configuration of user positioning to the customer (the user and/or the attendant). If needed, the dealer can make final adjustments.

User Testing

12.2

It is important that the customer is fully aware of the installation of the TFB, how to use it, and how it can be adjusted to fit the client comfortably. As a dealer, proceed as follows:

- Explain and show the customer how you have executed the installation and explain the function.

Have the user test the position of the TFB:

- Is the hardware in the proper position for the client?
- Can the user safely operate all controls with minimal effort?

If needed, make any adjustments to the positioning.

Explain to the customer possible problems and how to address them.

Conditions of Use

12.3

The TFB is intended for use as installed by the dealer, in accordance to the installation instructions in this manual.

- The foreseen conditions of use are communicated by the dealer or service technician to the user and/or attendant during the first time use.
- If the usage conditions change significantly, please contact your dealer or a qualified service technician to avoid unintended damage.

Cleaning

13.1

- Use a soft cloth to clean the back shell.
- Ensure all cleaners are approved for finished steel, aluminum, plastic, and upholstered surfaces.
- Hand wash foam pad cover with mild, soapy water or detergent, and let dry.
- Foam pad should not get wet.
- Soap and water with a brush can remove dirt and debris in the zipper teeth.

To wash the covers of the laterals:

- Remove the pad/cover from the laterals.
- Machine wash in cold water on delicate cycle and drip dry.

WARNING

Do not bleach.
Do not iron.
Do not hand wash in water temperatures above 160°F (70°C).
Do not wash or machine dry.

Fabric care instructions can be found on the covers of the cushions and back:

- Remove the pad/cover from the laterals.
- Machine wash in cold water on delicate cycle and drip dry.

CAUTION

Take care when removing the back as to not puncture, tear, or otherwise damage the fabric or foam.

CAUTION

Take care when zipping and unzipping the cover as to not catch hair, wires, or anything else which could be caught in the path.

Disinfecting

13.2

- Wipe gently with a cloth dampened with a household disinfectant.
- Allow foam to air dry thoroughly.

⚠ WARNING Do not immerse foam in water.

Maintenance

13.3

These care and guideline instructions will keep the hardware and covers in good condition for a longer period of time and prevent damage:

- Check and re-tighten all fasteners to the proper torque specifications on a regular basis. Reference the installation manual to find proper torque specs.
- Check pad/covers for any breakdown.
- Repair or replace parts as needed.
- Gently remove dust and dirt from hardware with a damp cloth.

⚠ CAUTION

Always check all mounting hardware, making sure each fastener is properly tightened before using the back support.

SAFETY Replace or repair parts as needed.

⚠ CAUTION 250lbs (113.40 kg) user weight limit.

NOTICE

Altering a back in any way and/or improper installation will void the warranty.



Stealth Products, LLC. • info@stealthproducts.com • www.stealthproducts.com
+1(800) 965-9229 | +1(512) 715-9995 | 104 John Kelly Drive, Burnet TX 78611