

+1 (512) 715-9995
 +1 (800) 965-9229 Toll Free
 +1 (512) 715-9954 Fax
 +1 (800) 806-1225 Toll Free Fax

104 John Kelly Drive,
 Burnet, TX 78611
 info@stealthproducts.com
 www.stealthproducts.com
 facebook.com/StealthProducts

PO#: Type:

Customer:

Branch: Date:

Contact:

E-mail:

Phone: Fax:

REQUIRED INFORMATION

Mobility Base Information

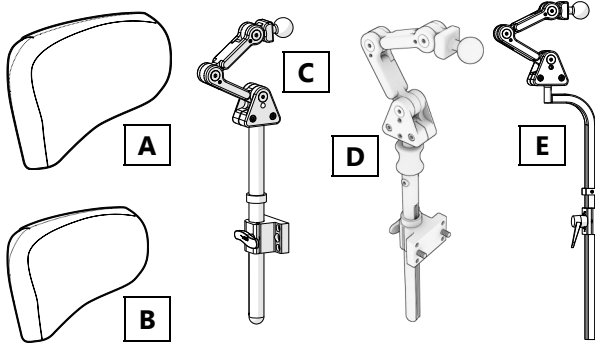
Model Type:

Seating Configuration:

3G Stander Other:



HEAD SOLUTIONS



SCAN FOR MORE SOLUTIONS



Qty.	PN	Description	MSRP
<input type="checkbox"/>	___ CP150	A. 14in Comfort Plus Head Support	\$151.94
<input type="checkbox"/>	___ CP250	B. 10in Comfort Plus Head Support	\$151.94
TWB* Mounting Hardware			
<input type="checkbox"/>	___ TWB480-1S	C. Link Hardware	\$235.40
<input type="checkbox"/>	___ TWB480-1FDM	D. Flip Down Link Hardware	\$319.93
<input type="checkbox"/>	___ TWB485-1"	E. Multi-Axis Link Hardware	\$220.50
Interface Plate			
<input type="checkbox"/>	___ SBM300P	Interface Plate for 3G Backs	\$26.75

HEAD ACCESSORIES AND CONTROL SOLUTIONS

Comfort Plus (CPS9*) Swing Away Mount

Qty.	PN	Description	MSRP
<input type="checkbox"/>	___ CPS9-B-HW	A1. Both Side Rods ¹	\$347.75
<input type="checkbox"/>	___ CPS9-L-HW	A2. with Left Side Rod Only ¹	\$294.25
<input type="checkbox"/>	___ CPS9-R-HW	A3. with Right Side Rod Only ¹	\$294.25
<input type="checkbox"/>	___ CN600	12in Flex Micro Lite Switch Mount	\$347.75

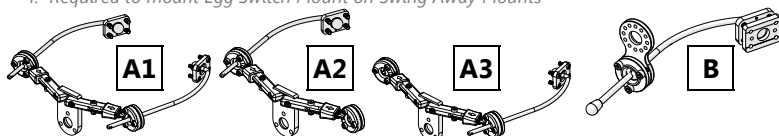
Swing Away Options

<input type="checkbox"/>	___ F8675	B. Figure 8 ^{1,2}	\$267.50
--------------------------	-----------	----------------------------	----------

Rods

<input type="checkbox"/>	___ SU264	Extended 13in Lateral Rod with Ring ³	\$80.25
<input type="checkbox"/>	___ SU265	Extended 18in Lateral Rod with Ring ³	\$107.00

- Comes standard with 9in - SU260 - rod
- Provides additional accessory mounting
- No charge if replacing standard 9in rod
- Required to mount Egg Switch Mount on Swing Away Mounts



Mark for:

Facial Pads

Qty.	PN	Description	MSRP
<input type="checkbox"/>	___	Lateral Facial Pads	\$53.50
<input type="checkbox"/>	900	4 1/2 x 2	
<input type="checkbox"/>	910	3 x 2	
<input type="checkbox"/>	920	6 3/8 x 2 1/4	
<input type="checkbox"/>	930	6 3/8 x 1 1/2	

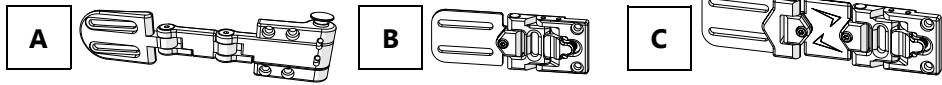
Swing Away Accessories

<input type="checkbox"/>	___ Egg Switch	<input type="checkbox"/> ESBLK <input type="checkbox"/> ESBLU	\$80.85
		<input type="checkbox"/> ESGRN <input type="checkbox"/> ESRED	
		<input type="checkbox"/> ESYEL	
<input type="checkbox"/>	___ ESM	Egg Switch Mount ⁴	\$50
<input type="checkbox"/>	___ ES-EXT	Egg Switch Extension Cable	\$15
<input type="checkbox"/>	___ MC210	Tash Mini Cup Switch	\$125
<input type="checkbox"/>	___ ML210	Micro Lite Switch	\$125
<input type="checkbox"/>	___ SP625	Sip & Puff Mount	\$275
<input type="checkbox"/>	___ FO660	20in Flex Tube Fiber Optic Mount	\$300
<input type="checkbox"/>	___ FO650	Lateral Rod Fiber Optic Mount	\$300

PO#:



Lateral Thoracic Hardware - Price per each unless specified



Qty.	PN	Description	Position	MSRP
<input type="checkbox"/>	___	TWBL A - Swing Away Link Style	___ Left ___ Right	\$236.25
<input type="checkbox"/>	___	TWBTL B - Thin Swing Away Link Style	___ Left ___ Right	\$236.25
<input type="checkbox"/>	___	TWBSTL C - Thin Swing Away Link Style with Extra Link	___ Left ___ Right	\$236.25

TWBL Hardware Option: only for **A** (K0108)

Qty.	PN	Description	MSRP
<input type="checkbox"/>	___	LTHW511 Full Surface Contact	\$78.75
<input type="checkbox"/>	___	LHW-129 TWB Lateral Link	\$52.50

Covers (K0108)

<input type="checkbox"/>	___	LHW-126 Hardware Covers	\$26.25
--------------------------	-----	--------------------------------	----------------

Lateral Thoracic Pads (E0956)

<input type="checkbox"/>	___	3x5 Standard 3 x 5 ___ L ___ R	\$52.50 pr.
<input type="checkbox"/>	___	4x6 Standard 4 x 6 ___ L ___ R	\$52.50 pr.

MOUNTING OPTIONS

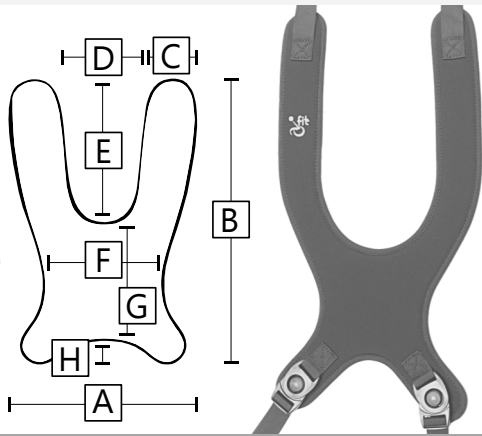
Qty.	PN	Description	MSRP	Qty.	PN	Description	MSRP
<input type="checkbox"/>	___	LTHW520 3G Track & Forward Bracket for B and C	\$105.00	<input type="checkbox"/>	___	LTHW505 Thoracic Planar Mount	\$52.50
<input type="checkbox"/>	___	LTHW523 3G Track & Reverse Bracket for A	\$105.00	<input type="checkbox"/>	___	LTHW500 1in Cane Mount	\$52.50



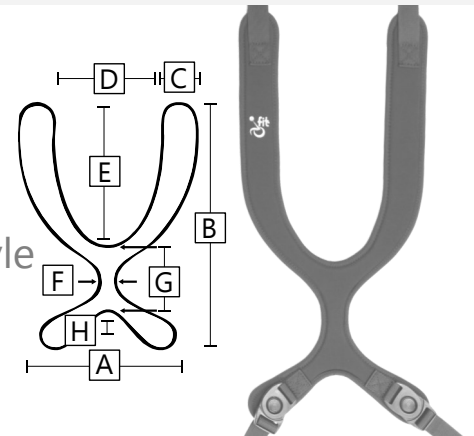
POSTURE SUPPORT (E0960)



Classic Style



Contoured Style



	A	B	C	D	E	F	G	H
XS	7.5 in	12.5 in	2 in	3.5 in	7.5 in	3.5 in	3 in	2 in
S	8.5 in	15 in	2 in	4.5 in	9 in	4 in	4 in	2 in
M	9.5 in	19 in	2 in	5.5 in	11 in	5 in	5 in	2.75 in
L	10.5 in	22.5 in	2 in	6.5 in	13 in	6 in	6 in	3.5 in
XL	11.5 in	25.5 in	2.5 in	6.5 in	14 in	7 in	7 in	4.5 in

	A	B	C	D	E	F	G	H
XS	7.5 in	12.5 in	2 in	3.5 in	7.5 in	1 in	3.5 in	1.25 in
S	8.5 in	15 in	2 in	4.5 in	9 in	1 in	4.25 in	1.75 in
M	9.5 in	19 in	2 in	5.5 in	11 in	1 in	5.25 in	2.5 in
L	10.5 in	22.5 in	2 in	6.5 in	13 in	1.25 in	6 in	3.5 in
XL	11.5 in	25.5 in	2.5 in	6.5 in	14 in	1.5 in	7 in	4.5 in

DYNAMIC

Qty.	PN	Description	MSRP
<input type="checkbox"/>	___	IFPS1101 Pull Down, Extra Small	\$142.00
<input type="checkbox"/>	___	IFPS1102 Pull Down, Small	\$142.00
<input type="checkbox"/>	___	IFPS1103 Pull Down, Medium	\$142.00
<input type="checkbox"/>	___	IFPS1104 Pull Down, Large	\$142.00
<input type="checkbox"/>	___	IFPS1105 Pull Down, Extra Large	\$142.00

STRUCTURED

<input type="checkbox"/>	___	IFPS1201 Pull Down, Extra Small	\$142.00
<input type="checkbox"/>	___	IFPS1202 Pull Down, Small	\$142.00
<input type="checkbox"/>	___	IFPS1203 Pull Down, Medium	\$142.00
<input type="checkbox"/>	___	IFPS1204 Pull Down, Large	\$142.00
<input type="checkbox"/>	___	IFPS1205 Pull Down, Extra Large	\$142.00

DYNAMIC

Qty.	PN	Description	MSRP
<input type="checkbox"/>	___	IFPS2101 Pull Down, Extra Small	\$142.00
<input type="checkbox"/>	___	IFPS2102 Pull Down, Small	\$142.00
<input type="checkbox"/>	___	IFPS2103 Pull Down, Medium	\$142.00
<input type="checkbox"/>	___	IFPS2104 Pull Down, Large	\$142.00
<input type="checkbox"/>	___	IFPS2105 Pull Down, Extra Large	\$142.00

STRUCTURED

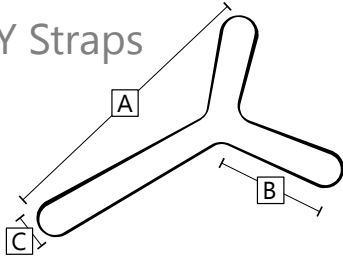
<input type="checkbox"/>	___	IFPS2201 Pull Down, Extra Small	\$142.00
<input type="checkbox"/>	___	IFPS2202 Pull Down, Small	\$142.00
<input type="checkbox"/>	___	IFPS2203 Pull Down, Medium	\$142.00
<input type="checkbox"/>	___	IFPS2204 Pull Down, Large	\$142.00
<input type="checkbox"/>	___	IFPS2205 Pull Down, Extra Large	\$142.00





POSTURE SUPPORT (E0960)

Y Straps



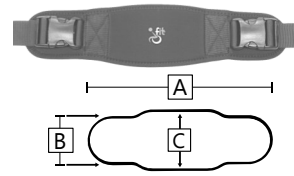
	A	B	C
S	19 in	8 in	2 in
M	22 in	9 in	2.25 in
L	25 in	11 in	2.5 in

DYNAMIC			
Qty.	PN	Description	MSRP
<input type="checkbox"/>	___ IFYS3102	Small	\$110.00
<input type="checkbox"/>	___ IFYS3103	Medium	\$110.00
<input type="checkbox"/>	___ IFYS3104	Large	\$110.00

STRUCTURED			
Qty.	PN	Description	MSRP
<input type="checkbox"/>	___ IFYS3202	Small	\$110.00
<input type="checkbox"/>	___ IFYS3203	Medium	\$110.00
<input type="checkbox"/>	___ IFYS3204	Large	\$110.00



Chest Strap

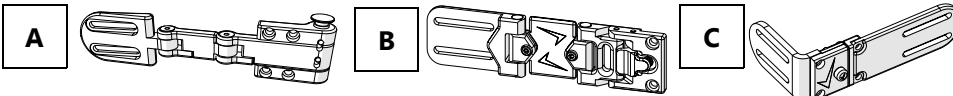


	A	B	C
XS	14 in	2.8 in	3.5 in
S	16 in	2.8 in	3.75 in
M	18 in	3.1 in	4 in
L	21 in	3.1 in	4.5 in
XL	23 in	3.25 in	4.75 in

Belt Anchor Only			
Qty.	PN	Description	MSRP
<input type="checkbox"/>	___ IFCS4111	Dynamic, Extra Small	\$90.00
<input type="checkbox"/>	___ IFCS4112	Dynamic, Small	\$90.00
<input type="checkbox"/>	___ IFCS4113	Dynamic, Medium	\$90.00
<input type="checkbox"/>	___ IFCS4114	Dynamic, Large	\$90.00
<input type="checkbox"/>	___ IFCS4115	Dynamic, Extra Large	\$90.00



Pelvic/Thigh - Hardware - Price per each unless specified



Qty.	PN	Description	Position	MSRP
<input type="checkbox"/>	___ TWBADD	A - Swing Away Link Style	___ Left ___ Right	\$236.25
<input type="checkbox"/>	___ TWBSTLADD	B - Thin Swing Away Link Style with Extra Link	___ Left ___ Right	\$236.25
<input type="checkbox"/>	___ LP430	C - Removable Fixed Swing Away Modular	___ Left ___ Right	\$262.50

MOUNTING OPTIONS

<input type="checkbox"/>	___ LPHW408	Track Nut	\$15.75
<input type="checkbox"/>	___ LPHW405	Planar Pelvic	\$52.50

Standard Pads - base measurement

<input type="checkbox"/>	4x4	<input type="checkbox"/>	4x6	<input type="checkbox"/>	4x8	<input type="checkbox"/>	4x10	<input type="checkbox"/>	4x12	\$50
--------------------------	-----	--------------------------	-----	--------------------------	-----	--------------------------	------	--------------------------	------	------

Modular Hardware Options: only for C (K0108)

<input type="checkbox"/>	___ Offset Adapters	\$78.75			
<input type="checkbox"/>	LHW-121 1in x 1in	<input type="checkbox"/>	LHW-122 1in x 2in		
<input type="checkbox"/>	___ Height/Depth Adapters	\$26.25			
<input type="checkbox"/>	LHW-120 1in	<input type="checkbox"/>	LHW-122 2in	<input type="checkbox"/>	LHW-124 3in
<input type="checkbox"/>	___ LPHW406	20° Adj. Pad Mount	\$78.75		

TWBL Hardware Options: only for A (K0108)

Qty.	PN	Description	MSRP
<input type="checkbox"/>	___ LPHW407	Full Surface Contact	\$78.75
<input type="checkbox"/>	___ LHW-129	TWBL Lateral Link	\$52.50

Covers

<input type="checkbox"/>	___ LHW-126	Hardware Covers	\$26.25
--------------------------	-------------	-----------------	---------

NOTES



PELVIC BELTS AND PADS (E0978)



2 POINT NON-PADDED BELTS

Qty.	PN	Description	MSRP
<input type="checkbox"/>	___ IFPB5110	Push Button, 1 in, Single Pull	\$46.00
<input type="checkbox"/>	___ IFPB5210	Push Button, 1.5 in, Single Pull	\$46.00
<input type="checkbox"/>	___ IFPB5310	Push Button, 2 in, Single Pull	\$46.00
<input type="checkbox"/>	___ IFPB6110	Side Release, 1 in, Single Pull	\$40.00
<input type="checkbox"/>	___ IFPB6210	Side Release, 1.5 in, Single Pull	\$40.00



2 POINT PADDED BELTS (SINGLE PULL)

Qty.	PN	Description	MSRP
<input type="checkbox"/>	___ IFPB5111	Push Button, 1 in, Extra Small Pads (4.5 in)	\$86.00
<input type="checkbox"/>	___ IFPB5112	Push Button, 1 in, Small Pads (5.5 in)	\$86.00
<input type="checkbox"/>	___ IFPB5213	Push Button, 1.5 in, Medium Pads (7.5 in)	\$86.00
<input type="checkbox"/>	___ IFPB5214	Push Button, 1.5 in, Large Pads (9.5 in)	\$86.00
<input type="checkbox"/>	___ IFPB5314	Push Button, 2 in, Large Pads (9.5 in)	\$86.00
<input type="checkbox"/>	___ IFPB5315	Push Button, 2 in, Extra Large Pads (11.5 in)	\$86.00



INDEPENDENT BELT PADS

Qty.	PN	Description	MSRP
<input type="checkbox"/>	___ IFPB101	4.5 in Pad	\$25.00 ea.
<input type="checkbox"/>	___ IFPB102	5.5 in Pad	\$25.00 ea.
<input type="checkbox"/>	___ IFPB103	7.5 in Pad	\$25.00 ea.
<input type="checkbox"/>	___ IFPB104	9.5 in Pad	\$25.00 ea.
<input type="checkbox"/>	___ IFPB105	11.5 in Pad	\$25.00 ea.

SIDE RELEASE

<input type="checkbox"/>	___ IFPB6213	Side Release, 1.5 in, Medium Pads (7.5 in)	\$80.00
<input type="checkbox"/>	___ IFPB6214	Side Release, 1.5 in, Large Pads (9.5 in)	\$80.00
<input type="checkbox"/>	___ IFPB6314	Side Release, 2 in, Large Pads (9.5 in)	\$80.00
<input type="checkbox"/>	___ IFPB6315	Side Release, 2 in, Extra Large Pads (11.5 in)	\$80.00



2 POINT PADDED BELTS (DUAL PULL)

Qty.	PN	Description	MSRP
<input type="checkbox"/>	___ IFPB5121	Push Button, 1 in, Extra Small Pads (4.5 in)	\$86.00
<input type="checkbox"/>	___ IFPB5122	Push Button, 1 in, Small Pads (5.5 in)	\$86.00
<input type="checkbox"/>	___ IFPB5223	Push Button, 1.5 in, Medium Pads (7.5 in)	\$86.00
<input type="checkbox"/>	___ IFPB5224	Push Button, 1.5 in, Large Pads (9.5 in)	\$86.00
<input type="checkbox"/>	___ IFPB5324	Push Button, 2 in, Large Pads (9.5 in)	\$86.00
<input type="checkbox"/>	___ IFPB5325	Push Button, 2 in, Extra Large Pads (11.5 in)	\$86.00

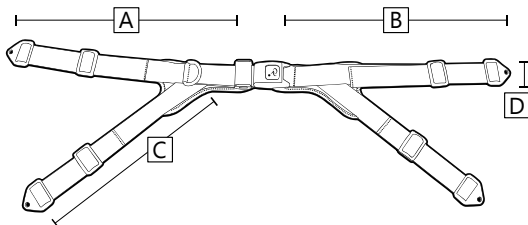
SIDE RELEASE

<input type="checkbox"/>	___ IFPB6223	Side Release, 1.5 in, Medium Pads (7.5 in)	\$80.00
<input type="checkbox"/>	___ IFPB6224	Side Release, 1.5 in, Large Pads (9.5 in)	\$80.00
<input type="checkbox"/>	___ IFPB6324	Side Release, 2 in, Large Pads (9.5 in)	\$80.00
<input type="checkbox"/>	___ IFPB6325	Side Release, 2 in, Extra Large Pads (11.5 in)	\$80.00

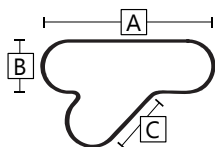


4 POINT BELTS (V Contour)

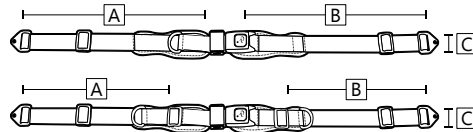
Qty.	PN	Description	MSRP
<input type="checkbox"/>	___ IFPB5141	Push Button, 1 in, Extra Small Pads (4.5 in)	\$130.00
<input type="checkbox"/>	___ IFPB5242	Push Button, 1.5 in, Small Pads (5.5 in)	\$130.00
<input type="checkbox"/>	___ IFPB5243	Push Button, 1.5 in, Medium Pads (7.5 in)	\$130.00
<input type="checkbox"/>	___ IFPB5244	Push Button, 1.5 in, Large Pads (9.5 in)	\$130.00



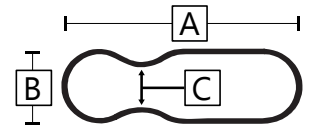
A	B	C	D	Buckle	Sizes
32 in	27 in	20 in	1 in	PB	XS
32 in	27 in	20 in	1.5 in	PB	S / M / L



	A	B	C
XS	4.25 in	1.75 in	3.25 in
S	5.5 in	2.25 in	4 in
M	7.5 in	2.5 in	4 in
L	9.5 in	2.25 in	4 in



Pull Type	A	B	C	Buckle	Pad Sizes
SP	32 in	27 in	1 in	PB	NP / XS
SP	32 in	27 in	1 in	SR	NP
DP	24 in	24 in	1 in	PB	XS / S
SP	32 in	27 in	1.5 in	PB / SR	NP / M / L
DP	24 in	24 in	1.5 in	PB / SR	M / L
SP	32 in	27 in	2 in	PB	NP / L / XL
SP	32 in	27 in	2 in	SR	L / XL
DP	24 in	24 in	2 in	PB / SR	L / XL



	A	B	C
XS	4.25 in	1.75 in	1.25 in
S	5.5 in	1.75 in	1.25 in
M	7.5 in	2.5 in	1.75 in
L	9.5 in	2.5 in	1.75 in
L	9.5 in	2.75 in	2.25 in
XL	11.5 in	2.75 in	2.25 in

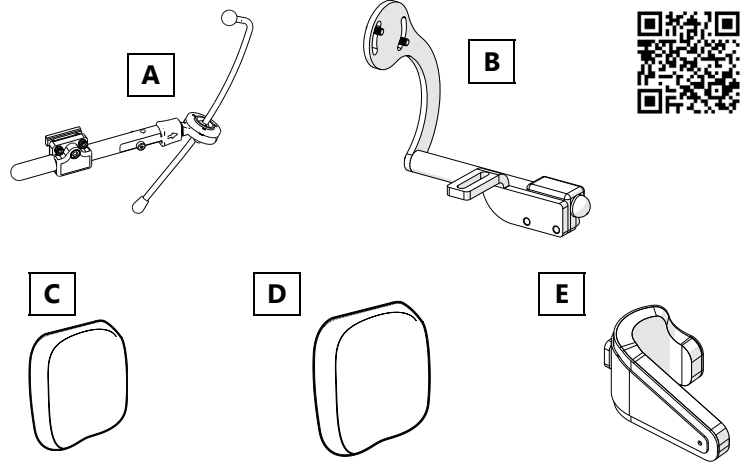




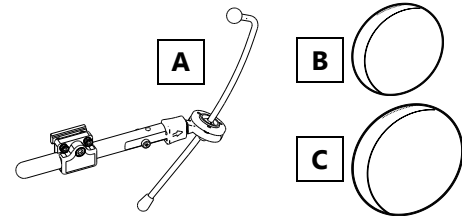
UPPER EXTREMITY SOLUTIONS

Elbow Support ARMS-ES Mounts

PN	Description	Position	MSRP
<input type="checkbox"/> ARMS-ESP	A. Swing Away for Corpus 2G	__ L __ R	\$183.75
<input type="checkbox"/> ARMS-ESF3GP	B. Fixed for Corpus 3G	__ L __ R	\$183.75
<input type="checkbox"/> ARMS-ES3GP	A. Swing Away for Corpus 3G	__ L __ R	\$183.75
ARMSES Pads			
<input type="checkbox"/> ARMSES-3X3	C. 3in x 3in Square Pad		\$52.50
<input type="checkbox"/> ARMSES-3X3G	3in x 3in Square Pad with Gel		\$68.25
<input type="checkbox"/> ARMSES-4X4	D. 3in x 3in Square Pad		\$52.50
<input type="checkbox"/> ARMSES-4X4G	4in x 4in Square Pad with Gel		\$68.25
<input type="checkbox"/> ARMSES-3X10	E. 3in x 10in Curved Pad	__ L __ R	\$78.75
<input type="checkbox"/> ARMSES-3X10G	3in x 10in Curved Pad w/ Gel	__ L __ R	\$78.75



KNEE SOLUTIONS

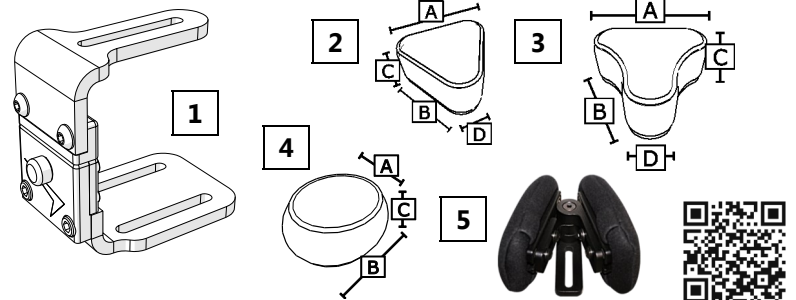


Qty.	PN	Description	MSRP
<input type="checkbox"/> __	KN1ADD-TRK	A Swing Away Knee Adductor w/ Track Mount	\$246.75
Knee Adductor Pads			
<input type="checkbox"/> __	KN1ADD3	B 3in Round Pad	\$52.50
<input type="checkbox"/> __	KN1ADD4	C 4in Round Pad	\$52.50



MEDIAL/POMMEL SOLUTIONS

Qty.	PN	Description	MSRP
<input type="checkbox"/> __	MTHW-650	1 Removable Fixed Hardware	\$288.75
Wedge Pads (2) (E0956)			
<input type="checkbox"/> __	MTMD-12	Small	\$149.10
<input type="checkbox"/> __	MTMD-13	Medium	\$149.10
<input type="checkbox"/> __	MTMD-14	Large	\$149.10
Wedge Pads with Knee Cut Out (3) (E0956)			
<input type="checkbox"/> __	MTMD-32	Small	\$149.10
<input type="checkbox"/> __	MTMD-33	Medium	\$149.10
<input type="checkbox"/> __	MTMD-34	Large	\$149.10
Oval Pad (4) (E0956)			
<input type="checkbox"/> __	MTMD-21	Extra Small	\$149.10
<input type="checkbox"/> __	MTMD-22	Small	\$149.10
<input type="checkbox"/> __	MTMD-23	Medium	\$149.10
<input type="checkbox"/> __	MTMD-24	Large	\$149.10
Adjustable Pad (5)			
<input type="checkbox"/> __	MTMD-42	Adjustable Pommel Pad	\$288.75



Size	A	B	C	D ¹
XS ²	2.5in	3.5in	3in	-
S	3in	4in	3in	2in
M	4.5in	5in	3in	2in
L	5in	5in	4in	3in

1. Only applies to Wedge Pads
2. Only available for Oval Pads

NOTES

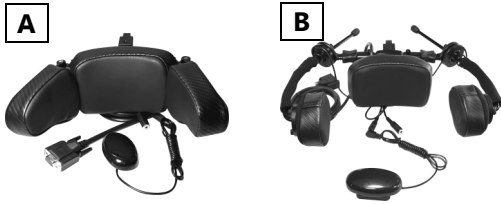




ALTERNATIVE DRIVE SOLUTIONS



i-Drive® Head Controls



Qty.	PN	Description	MSRP
<input type="checkbox"/>	___ IDHBT200-1	A. Bluetooth Tri-Array	\$4,414.00
<input type="checkbox"/>	___ IDHBT300-1	B. Bluetooth Pro Series	\$4,461.00

Sip & Puff

<input type="checkbox"/>	___ IDHBT310-1	Pro Series Head Array with Sip & Puff	\$4,750.00
--------------------------	-----------------------	--	-------------------

- SUS9 Swing Away or F8675 (pg 1) must be selected for this option.
- See page 1 for Egg Switch Options

TWB Mounting Hardware

<input type="checkbox"/>	TWB480-17MM	Link Style Hardware 17mm Ball	\$235.40
<input type="checkbox"/>	TWB485-17MM	Link Style Square Tubing 17mm Ball	\$220.50
<input type="checkbox"/>	TWB480-17FDM	Link Style Hardware 17mm Ball Flip Down	\$319.93

Swing Away Options (E1028)²

<input type="checkbox"/>	SUS9-L-HW	Left Side Swing Away for Tri-Array Only	\$294.25
<input type="checkbox"/>	SUS9-R-HW	Right Side Swing Away for Tri Array Only	\$294.25

Reset Egg Switch Mounting (K0108)²

<input type="checkbox"/>	None		
<input type="checkbox"/>	On Swing Away Hardware¹	<input type="checkbox"/> L <input type="checkbox"/> R <input type="checkbox"/> L <input type="checkbox"/> R	
<input type="checkbox"/>	ESRM	Finger Egg Switch Mount	\$51.45

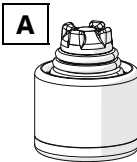
i-Drive® Tray Arrays



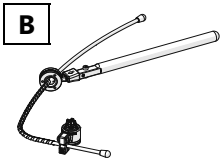
<input type="checkbox"/>	___ IDTBT100-1	A. Proxi™ Eclipse Tray Array	\$5,460.00
<input type="checkbox"/>	___ IDBTBF100-1	B. Fiber™ Eclipse Tray Array 3 Switches	\$4,568.00
<input type="checkbox"/>	___ IDBTBF100-2	C. Fiber™ Eclipse Tray Array 4 Switches	\$4,883.00

Precision Mini Joysticks

Qty.	PN	Description	MSRP
<input type="checkbox"/>	___ IDPMP-1	A. i-Drive Mini Joystick	\$3,964.00
<input type="checkbox"/>	___ IDPMP-260	B. IDPMP-1 with ARMS260 hardware	\$3,518.00
<input type="checkbox"/>	___ IDPMP-9	A. Stealth PMPJ - Fully Proportional Joystick	\$3,229.00




A



B

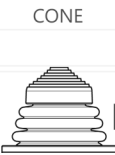
0.38 lbf **0.71 lbf**
Handle Type:
 Grip **Cone** **Tip**

GRIP




1.17 in
0.75 in

CONE



0.80 in

TIP



1.17 in

PMPJ Mounting Hardware

Qty.	PN	Description	MSRP
<input type="checkbox"/>	___ SM670	Swing Away Chin Control Mount	\$262.50
<input type="checkbox"/>	ARMS260-PMPJ	Swing Away Arm Control Mount	\$288.75
<input type="checkbox"/>	___ SBM851	Chin Bib Mount	\$357.00

Mounts for Gatlin Hardware¹

<input type="checkbox"/>	___ GAT441-PMP	4in x 6in Mini Tray with PMPJ Mount	\$393.75
--------------------------	-----------------------	-------------------------------------	-----------------

Left


Center

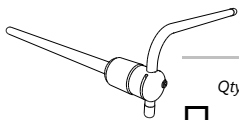

Right


1. Refer to page 6 for Gatlin Hardware



PERIPHERAL MOUNTING SOLUTIONS

Gatlin Midline Mount¹



Qty.	PN	Description	MSRP
<input type="checkbox"/>	___ GAT400P	5/8in Gatlin 8 Position	\$603.75
<input type="checkbox"/>	___ GAT405P	5/8in Gatlin 3 Position	\$603.75

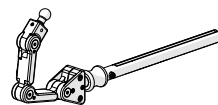
Electronic Mounts

<input type="checkbox"/>	___ GAT435-RN	for R-Net Joystick	\$131.25
<input type="checkbox"/>	___ GAT458P	for Omni Light ²	\$204.75
<input type="checkbox"/>	___ GAT459P	Compact HMC-RN ²	\$204.75
<input type="checkbox"/>	___ GAT472P	Omni Light Mount	\$131.25
<input type="checkbox"/>	___ GAT473P	Compact HMC-RN	\$131.25

1. Includes ARMS250-PC

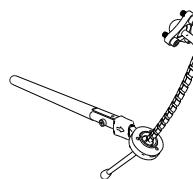
2. With 360° adjustable mount

TWBM480 Link S/A Hardware¹



PN	Description	MSRP
<input type="checkbox"/>	TWBM480-TAB Tablet Mount	\$472.50
<input type="checkbox"/>	TWBM480-MPJ MPJ R-Net Joystick Mount	\$262.50

ARMS260 Swing Away Hardware³



<input type="checkbox"/>	ARMS260	with Egg Switch Mount	\$262.50
<input type="checkbox"/>	ARMS260-UNI2	Cellular Mount	\$262.50
<input type="checkbox"/>	ARMS260-RN	R-Net Joystick Mount	\$262.50
<input type="checkbox"/>	ARMS260-P	Omni Plus Display Mount	\$262.50

3. Comes standard with 1in cane clamp